

# Downlight Cooler 40W LED Heat Sink

**This LED Heatsink is part of the Aavid scalable LED portfolio.**

**Future proof** – Designed with the rapidly evolving light engine industry in mind, thermal performance can be easily increased or decreased without a luminaire redesign by adding or removing a SynJet Cooler

**Flexibility** – Configure to order luminaire production process, use heatsinks for low lumen applications and the SynJet Cooler with heatsink for higher lumen versions

**Freedom** – Compatible with most major light engines so thermal solutions and mechanical interfaces do not have to be redesigned when changing light engines

**Fast** – In stock and ready for overnight delivery, worldwide



## Specifications

### Thermal<sup>1</sup>

Thermal Wattage	Heatsink $\Theta_{s-a}$ <sup>2</sup>	Heat Sink $T_{Rise Above Ambient}$
17 W	1.5 (°C/W)	25 (°C)
27 W	1.4 (°C/W)	37 (°C)
37 W	1.3 (°C/W)	49 (°C)

### Mechanical

<b>Material</b>	ADC12 Al Cast
<b>Finish</b>	Black Ecoat
<b>Weight</b>	352g
<b>Regulatory</b>	RoHS

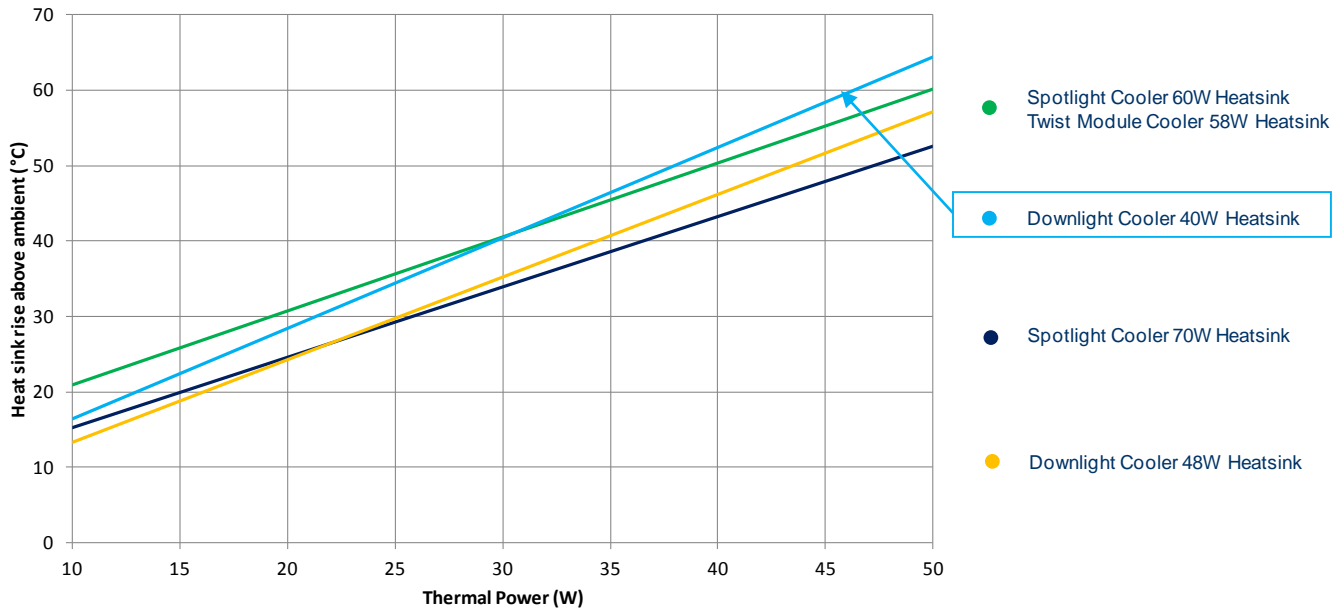
Size
Diameter: 118 mm
Height: 42 mm

**The chart below summarizes the thermal performance of all round LED heatsink solutions with diameters from 118 to 138 mm.**

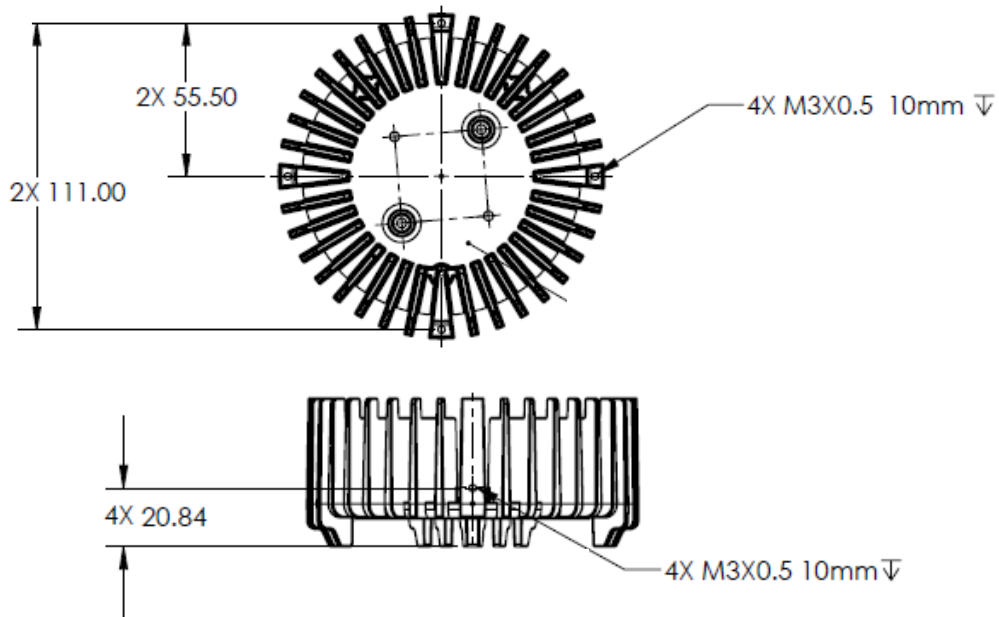
<sup>1</sup> All values are typical at 25°C unless otherwise stated.

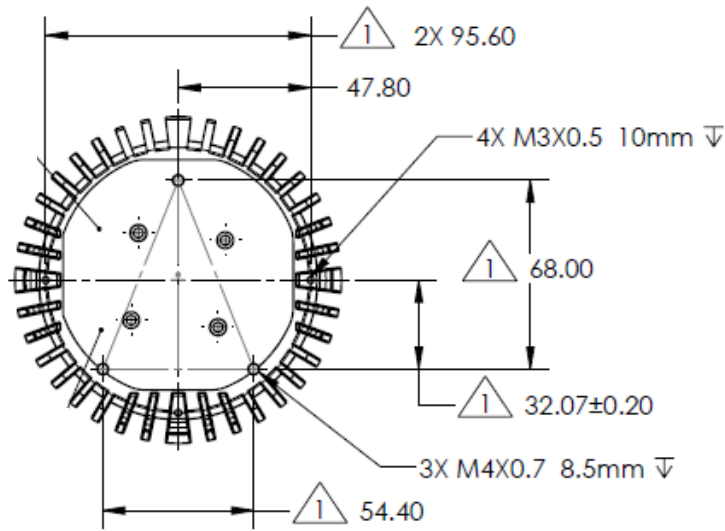
<sup>2</sup> Thermal resistance values are given as reference only and are measured in free air without airflow obstructions. Thermal resistance is measured from the bottom middle of the heat sink to ambient air, with a heat source of 19 cm<sup>2</sup>. Actual thermal performance may vary by application and final product design should be tested to assure proper thermal performance.

**Heatsink Rise Above Ambient vs. Thermal Power  
Round Heatsinks Diameter 118 to 138 mm**



**Mechanical – LED Heatsink shown with Configurable heat sink**





All dimensions are nominal and in mm unless otherwise stated. See product drawings for more detail.

## Part Numbers

Part Number	Description	Notes
HSSLS-CALBL-005	LED Heatsink, 40W, Philips Fortimo and Lixel, Stark DLE, Black	Contact sales for other heatsink options

Aavid reserves the right to make changes to the products or information contained herein without notice. No liability is assumed as a result of their use or applications. For additional information, please contact Aavid directly.