

## Accessories

### General

Hardwares are the screwlock assemblies or the brackets used for the mounting of connectors on panels or PCB, or for the fixing of plugs and receptacles.

They are not fixed on the connectors and are supplied separately.

Hardwares are supplied by pairs: A reference, identified by the Description or **by the Part Number, is for a pair of hardwares**, what is necessary for the mounting or the fixing of a connector.

### ESCC 3401/032 Variants

<u>Variant</u>	<u>Application</u>	<u>Note</u>
01	Assy / Front panel mounting	Obsolete / Replaced by variants 07 + 08
02	Assy / Rear panel mounting	Obsolete / Replaced by variants 07 + 09
03	Brackets / Size 9 to 37	
04	Brackets / Size 51	
05	Assy / Connector savers	Obsolete / Replaced by variant 10
06	Screwlock / Connector FR136/FR139	Obsolete / Replaced by variant 11
07	Sub-assy harness side	New
08	Sub-assy panel side / Front panel mounting	New
09	Sub-assy panel side / Rear panel mounting	New
10	Assy / Connector savers	New
11	Screwlock / Connector FR136/FR139	New

Additional variants are supplied in accordance with the requirements of the ESCC Generic Specification n° 3401 for mounting options not covered by the ESCC qualified variants (sub-assemblies or rear panel mounting with different panel thicknesses).

All these variants are available with the Quality Level FR022.

### Obsolete and New References

A redesign of the whole range of Hardwares was recently performed in order to increase their robustness and to optimize their homogeneity:

- Screwlocks with a cylindrical base, for a better tightening against the shell or the panel (instead of the previous hexagonal base).
- Screwlocks with optimized threaded hole depth, for increasing the torque security and the introduction of:
  - a minimum torque value (guarantee of the correct fixing of the connector)
  - a maximum torque value (prevention of the screwlocks from damage during the fixing operation)
- Same screw used for all the mounting configurations.

The references identified as "Obsolete (1)" in the Cross References table will be no more supplied and will be progressively replaced in the new designs by the equivalent references identified as "New". For the availability of the obsolete references for the existing applications, consult factory.

The references identified as "Obsolete (2)" in the Cross References table, concerning the mounting on panels 2,40 (.093) thick, are no more available.

The obsolete references are shown for historical reasons and for a clear identification of the alternative new references.

The mixing of the obsolete references with the new references is not authorized.

To avoid any confusions, the new references are clearly identifiable by:

- A groove on the cylindrical area localized between the head and the threaded end of the screw.
- The cylindrical base of the hexagonal area of the screwlocks.

# 3401-032 MDM Accessories Cross References

The Reference descriptions are distributed in 3 categories:

- ESCC: Qualified variants per the ESCC Detail Specification n° 3401/032.
- According to ESCC: Not qualified variants, supplied in accordance with the requirements of the ESCC Generic Specification n° 3401.
- FR022: Variants supplied per the C&K Connector Specification CS FR022.

Application	Details	Item No *	ESCC	According to ESCC	FR022	Note
Front panel mounting	Assembly	1	340103201B replaced by <b>340103207B + 340103208B</b>		MDM-322-9500-000-FR022 replaced by <b>MDM-115288-6916-FR022 + MDM-115288-6917-FR022</b>	Obsolete (1)
	Sub-assembly/harness side	2		MDM-322-9501-000C replaced by <b>340103207B</b>	MDM-322-9501-000-FR022 replaced by <b>MDM-115288-6916-FR022</b>	Obsolete (1)
	Sub-assembly/panel side	3		MDM-322-9502-000C replaced by <b>340103208B</b>	MDM-322-9502-000-FR022 replaced by <b>MDM-115288-6917-FR022</b>	Obsolete (1)
	Sub-assembly/harness side	4	<b>340103207B</b>		<b>MDM-115288-6916-FR022</b>	<b>New</b>
	Sub-assembly / panel side	5	<b>340103208B</b>		<b>MDM-115288-6917-FR022</b>	<b>New</b>
Rear panel mounting	Assembly/Panel 1,60 (.063)	6	340103202B replaced by <b>340103207B + 340103209B</b>		MDM-115288-607-FR022 replaced by <b>MDM-115288-6916-FR022 + MDM-115288-6920-FR022</b>	Obsolete (1)
	Sub-assembly / harness side	7		MDM-322-8751-000C replaced by <b>340103207B</b>	MDM-322-8751-000-FR022 replaced by <b>MDM-115288-6916-FR022</b>	Obsolete (1)
	Sub-assembly/panel side 0,80 (.031)	8		MDM-320-9505-004C replaced by <b>MDM-115366-9223C</b>	MDM-320-9505-004-FR022 replaced by <b>MDM-115288-6918-FR022</b>	Obsolete (1)
	Sub-assembly/panel side 1,20 (.047)	9		MDM-320-9505-005C replaced by <b>MDM-115366-9224C</b>	MDM-320-9505-005-FR022 replaced by <b>MDM-115288-6919-FR022</b>	Obsolete (1)
	Sub-assembly / panel side 1,60 (.063)	10		MDM-320-9505-006C replaced by <b>340103209B</b>	MDM-320-9505-006-FR022 replaced by <b>MDM-115288-6920-FR022</b>	Obsolete (1)
	Sub-assembly / panel side 2,40 (.094)	11		MDM-320-9505-007C <b>No replacement.</b>	MDM-320-9505-007-FR022 <b>No replacement</b>	Obsolete (2)
	Sub-assembly / harness side	12	<b>340103207B</b>		<b>MDM-115288-6916-FR022</b>	<b>New</b>
	Sub-assembly / panel side 0,80 (.031)	13		<b>MDM-115366-9223C</b>	<b>MDM-115288-6918-FR022</b>	<b>New</b>
	Sub-assembly / panel side 1,20 (.047)	14		<b>MDM-115366-9224C</b>	<b>MDM-115288-6919-FR022</b>	<b>New</b>
	Sub-assembly / panel side 1,60 (.063)	15	<b>340103209B</b>		<b>MDM-115288-6920-FR022</b>	<b>New</b>

## 3401-032 MDM Accessories Cross References

<b>Brackets</b>	Shell size 9 to 37	16	340103203B		MDM-015-9516-002-FR022	Unchanged
	Shell size 51	17	340103204B		MDM-015-9516-003-FR022	Unchanged
<b>Connector Savers</b>	Assembly	18	340103205B Replaced by <b>340103210B</b>		MDM-115288-380-FR022 Replaced by <b>MDM-115288-6921-FR022</b>	Obsolete (1)
	Assembly	19	<b>340103210B</b>		<b>MDM-115288-6921-FR022</b>	<b>New</b>
<b>Connector FR136/139</b>	Front panel mounting	20	340103206B Replaced by <b>340103211B</b>		MDM-115288-405-FR022 Replaced by <b>MDM-115288-6922-FR022</b>	Obsolete (1)
	Rear panel mounting 0,80(.031)	21		MDM-115366-9203C, replaced by <b>MDM-115366-9225C</b>	MDM-115288-602-FR022 Replaced by <b>MDM-115288-6923-FR022</b>	Obsolete (1)
	Rear panel mounting 1,20(.047)	22		MDM-115366-9204C, replaced by <b>MDM-115366-9226C</b>	MDM-115288-603-FR022 Replaced by <b>MDM-115288-6924-FR022</b>	Obsolete (1)
	Rear panel mounting 1,60(.063)	23		MDM-115366-9205C, replaced by <b>MDM-115366-9227C</b>	MDM-115288-604-FR022 Replaced by <b>MDM-115288-6925-FR022</b>	Obsolete (1)
	Rear panel mounting 2,40(.094)	24		MDM-115366-9206C <b>No replacement</b>	MDM-115288-605-FR022 <b>No replacement</b>	Obsolete (2)
	Front panel mounting	25	<b>340103211B</b>		<b>MDM-115288-6922-FR022</b>	<b>New</b>
	Rear panel mounting 0,80(.031)	26		<b>MDM-115366-9225C</b>	<b>MDM-115288-6923-FR022</b>	<b>New</b>
	Rear panel mounting 1,20(.047)	27		<b>MDM-115366-9226C</b>	<b>MDM-115288-6924-FR022</b>	<b>New</b>
	Rear panel mounting 1,60(.063)	28		<b>MDM-115366-9227C</b>	<b>MDM-115288-6925-FR022</b>	<b>New</b>

The Reference descriptions are distributed in 3 categories:

Obsolete (1): No more supplied, replaced by the equivalent "New" references.  
Per ESA is specified to use the **NEW** items as a replacement for the **OBSOLETE** items.

Obsolete (2): No more available.

Item No \*: Used for the compatibility table page 121.  
The compatibility is based on the dimensions of the parts.  
Compatibility of 2 items available within 2 different categories (example between ESCC and FR022 variants).

# 3401-032 MDM Accessories

## Screwlock assembly, front panel mounting – Old version

Description ESCC: 340103201B

Description FR022: MDM-322-9500-000-FR022

Total weight for a pair: 1.80 g max.

Composed of 2 sub-assemblies:

### 1 - Screwlock sub-assembly, harness side, front panel mounting –old version

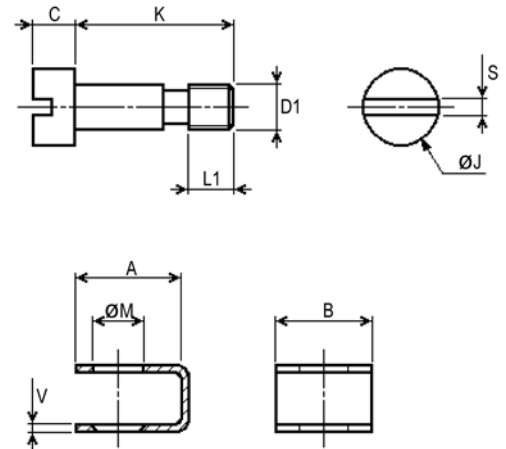
Description according to ESCC: MDM-322-9501-000C

Description FR022: MDM-322-9501-000-FR022

Composed of: 2 Screws + 2 Clips

Torque value for screw: 0.28 Nm max.

<b>A</b>	4,83 ± 0,25 (.190 ± .010)
<b>B</b>	4,45 max. (.175 max.)
<b>C</b>	1,97 ± 0,19 (.078 ± .007)
<b>D1</b>	2-56 UNC-2A
<b>ØJ</b>	3,68 max. (.145 max.)
<b>K</b>	7,42 max. (.292 max.)
<b>L1</b>	2,10 + 0,19 / - 0,10 (.083 + .007 / - .004)
<b>ØM</b>	2,35 ± 0,06 (.093 ± .002)
<b>S</b>	0,68 ± 0,10 (.027 ± .004)
<b>V</b>	0,38 ± 0,03 (.015 ± .001)



### 2 - Screwlock sub-assembly, panel side, front panel mounting –old version

Description according to ESCC: MDM-322-9502-000C

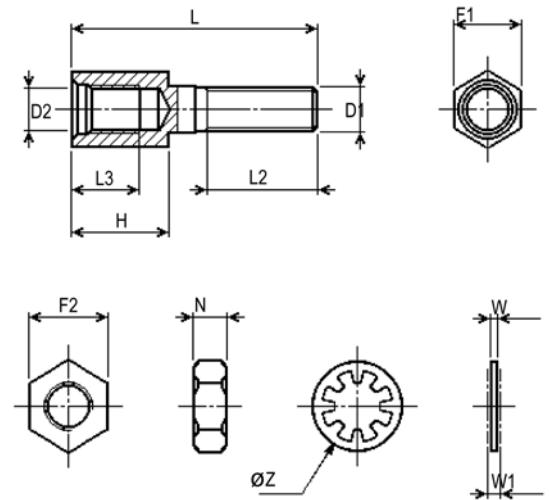
Description FR022: MDM-322-9502-000-FR022

Composed of: 2 Screwlocks + 2 Washers + 2 Nuts

Torque value for screwlock, male side: 0.44 Nm max.

Torque value for screwlock, female side: 0.28 Nm max.

<b>D1</b>	2-56 UNC-2A
<b>D2</b>	2-56 UNC-2B
<b>F1</b>	3,17 Typ (.125 Typ)
<b>F2</b>	3,90 Typ (.154 Typ)
<b>H</b>	4,62 max. (.182 max.)
<b>L</b>	11,56 ± 0,25 (.455 ± .010)
<b>L2</b>	5,20 min. (.205 min.)
<b>L3</b>	3,50 min. (.138 min.)
<b>N</b>	1,60 ± 0,15 (.063 ± .006)
<b>W</b>	0,30 ± 0,03 (.012 ± .001)
<b>W1</b>	0,50 Typ overall (.020 Typ overall)
<b>ØZ</b>	4,55 ± 0,03 (.179 ± .001)



## Screwlock assembly, front panel mounting – New version

Composed of 2 sub-assemblies:

### 1 - Screw sub-assembly, harness side

Description ESCC: 340103207B

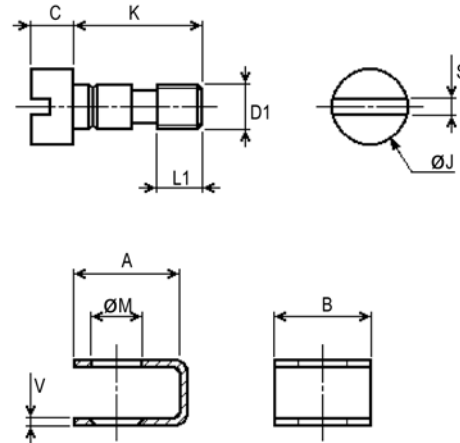
Description FR022: MDM-115288-6916-FR022

Composed of: 2 Screws + 2 Clips

Total weight for a pair: 0.88 g max.

Torque value for screw: 0.28 Nm min. / 0.32 Nm max.

<b>A</b>	4,83 ± 0,25 (.190 ± .010)
<b>B</b>	4,45 max. (.175 max.)
<b>C</b>	2,00 ± 0,15 (.079 ± .006)
<b>D1</b>	2-56 UNC-2A
<b>ØJ</b>	3,68 max. (.145 max.)
<b>K</b>	6,00 ± 0,15 (.236 ± .006)
<b>L1</b>	2,10 + 0,19 / - 0,10 (.083 + .007 / - .004)
<b>ØM</b>	2,35 ± 0,06 (.093 ± .002)
<b>S</b>	0,68 ± 0,10 (.027 ± .004)
<b>V</b>	0,38 ± 0,03 (.015 ± .001)



### 2 - Screwlock sub-assembly, panel side, front panel mounting – New version

Description ESCC: 340103208B

Description FR022: MDM-115288-6917-FR022

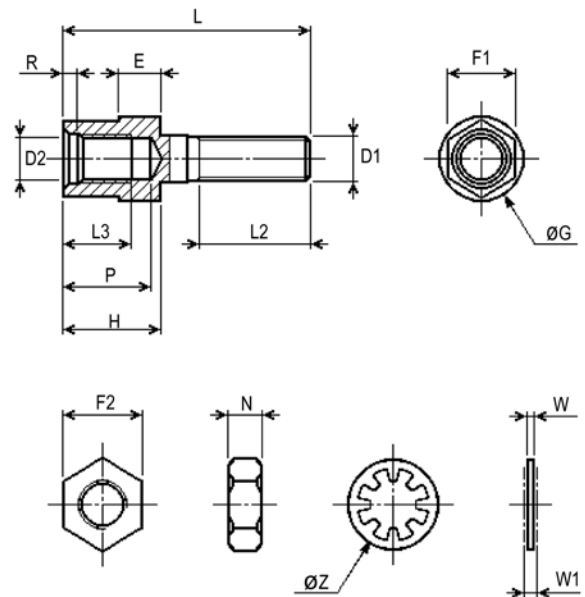
Composed of: 2 Screwlocks + 2 Washers + 2 Nuts

Total weight for a pair: 1.32 g max.

Torque value for screwlock, male side: 0.44 Nm min. / 0.48 Nm max.

Torque value for screwlock, female side: 0.28 Nm min. / 0.32 Nm max.

<b>D1</b>	2-56 UNC-2A
<b>D2</b>	2-56 UNC-2B
<b>E</b>	2,00 Typ (.079 Typ)
<b>F1</b>	3,17 Typ (.125 Typ)
<b>F2</b>	3,80 ± 0,15 (.150 ± .006)
<b>ØG</b>	4,00 ± 0,05 (.157 ± .002)
<b>H</b>	4,58 + 0,04 / - 0,03 (.180 + .002 / - .001)
<b>L</b>	11,60 + 0,20 / - 0,30 (.457 + .008 / - .012)
<b>L2</b>	5,20 min. (.205 min.)
<b>L3</b>	3,20 min. (.126 min.)
<b>N</b>	1,60 ± 0,15 (.063 ± .006)
<b>P</b>	4,20 max. (.165 max.)
<b>R</b>	0,70 Typ (.028 Typ)
<b>W</b>	0,30 ± 0,03 (.012 ± .001)
<b>W1</b>	0,50 Typ overall (.020 Typ overall)
<b>ØZ</b>	4,55 ± 0,03 (.179 ± .001)



# 3401-032 MDM Accessories

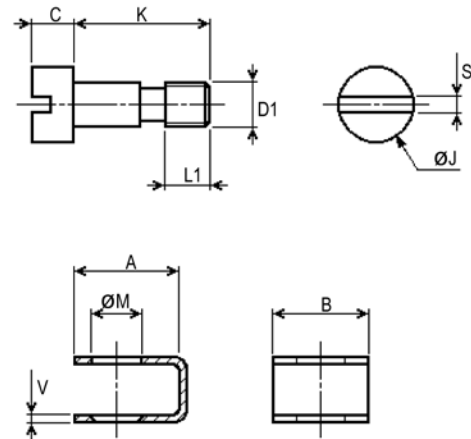
## Screwlock assembly, rear panel mounting – Old version

Description ESCC, for panel thickness 1,60 (.063): 340103202B  
 Description FR022, for panel thickness 1,60 (.063): MDM-115288-607-FR022  
 Total weight for a pair: 1.80 g  
 Composed of 2 sub-assemblies:

### 1 - Screwlock sub-assembly, harness side, rear panel mounting

Description according to ESCC: MDM-322-8751-000C  
 Description FR022: MDM-322-8751-000-FR022  
 Composed of: 2 Screws + 2 Clips  
 Torque value for screw: 0.28 Nm max.

<b>A</b>	4,83 ± 0,25 (.190 ± .010)
<b>B</b>	4,45 max. (.175 max.)
<b>C</b>	1,97 ± 0,19 (.078 ± .007)
<b>D1</b>	2-56 UNC-2A
<b>øJ</b>	3,68 max. (.145 max.)
<b>K</b>	6,37 max. (.251 max.)
<b>L1</b>	2,10 + 0,19 / - 0,10 (.083 + .007 / - .004)
<b>øM</b>	2,35 ± 0,06 (.093 ± .002)
<b>S</b>	0,68 ± 0,10 (.027 ± .004)
<b>V</b>	0,38 ± 0,03 (.015 ± .001)

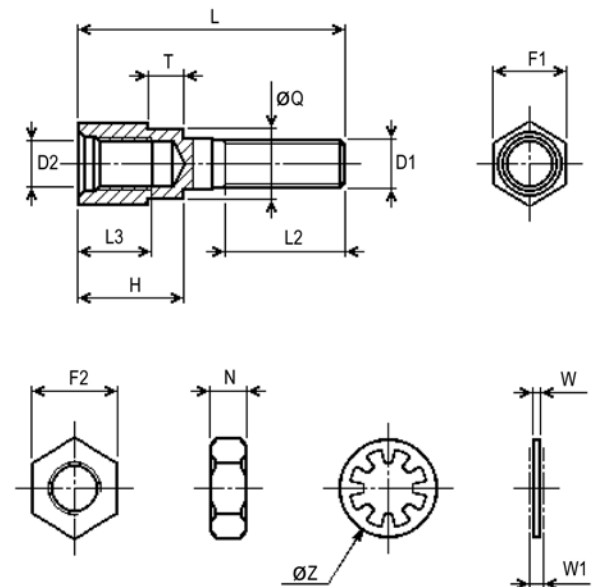


### 2 - Screwlock sub-assembly, panel side, rear panel mounting –old version

Panel thickness:	0,80 (.031)	1,20 (.047)	1,60 (.063)	2,40 (.094)
Description according to ESCC:	MDM-320-9505-004C	MDM-320-9505-005C	MDM-320-9505-006C	MDM-320-9505-007C
Description FR022:	MDM-322-9505-004-FR022	MDM-322-9505-005-FR022	MDM-322-9505-006-FR022	MDM-322-9505-007-FR022
Dimension T:	0,67 ± 0,05 (.026 ± .002)	1,07 ± 0,05 (.042 ± .002)	1,47 ± 0,05 (.058 ± .002)	2,27 ± 0,05 (.089 ± .002)

Composed of: 2 Screwlocks + 2 Washers + 2 Nuts  
 Torque value for screwlock, male side: 0.44 Nm max.  
 Torque value for screwlock, female side: 0.28 Nm max.

<b>D1</b>	2-56 UNC-2A
<b>D2</b>	2-56 UNC-2B
<b>F1</b>	3,17 Typ (.125 Typ)
<b>F2</b>	3,90 Typ (.154 Typ)
<b>H</b>	4,53 ± 0,13 (.178 ± .005)
<b>L</b>	12,42 ± 0,25 (.489 ± .010)
<b>L2</b>	6,00 min. (.236 min.)
<b>L3</b>	3,50 min. (.138 min.)
<b>N</b>	1,60 ± 0,15 (.063 ± .006)
<b>øQ</b>	3,10 ± 0,03 (.122 ± .001)
<b>W</b>	0,30 ± 0,03 (.012 ± .001)
<b>W1</b>	0,50 Typ overall (.020 Typ overall)
<b>øZ</b>	4,55 ± 0,03 (.179 ± .001)



## Screwlock assembly, rear panel mounting – New version

Composed of 2 sub-assemblies:

### 1 - Screw sub-assembly, harness side

Description ESCC: 340103207B

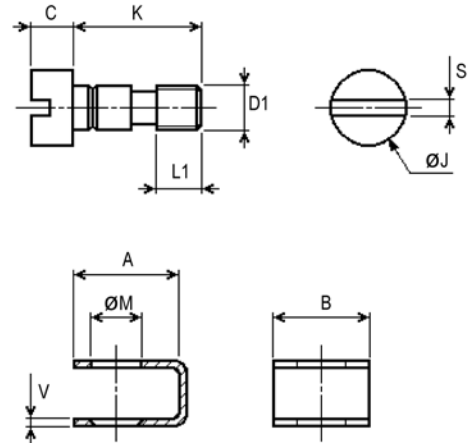
Description FR022: MDM-115288-6916-FR022

Composed of: 2 Screws + 2 Clips

Total weight for a pair: 0.88 g max.

Torque value for screw: 0.28 Nm min. / 0.32 Nm max.

<b>A</b>	4,83 ± 0,25 (.190 ± .010)
<b>B</b>	4,45 max. (.175 max.)
<b>C</b>	2,00 ± 0,15 (.079 ± .006)
<b>D1</b>	2-56 UNC-2A
<b>øJ</b>	3,68 max. (.145 max.)
<b>K</b>	6,00 ± 0,15 (.236 ± .006)
<b>L1</b>	2,10 + 0,19 / - 0,10 (.083 + .007 / - .004)
<b>øM</b>	2,35 ± 0,06 (.093 ± .002)
<b>S</b>	0,68 ± 0,10 (.027 ± .004)
<b>V</b>	0,38 ± 0,03 (.015 ± .001)



### 2 - Screwlock sub-assembly, panel side, rear panel mounting– New version

Panel thickness:

0,80 (.031)

1,20 (.047)

1,60 (.063)

Description ESCC or according to ESCC:

MDM-115366-9223C

MDM-115366-9224C

340103209B

Description FR022:

MDM-115288-6918-FR022

MDM-115288-6919-FR022

MDM-115288-6920-FR022

Dimension T:

0,73 ± 0,05 (.029 ± .002)

1,13 ± 0,05 (.044 ± .002)

1,53 ± 0,05 (.060 ± .002)

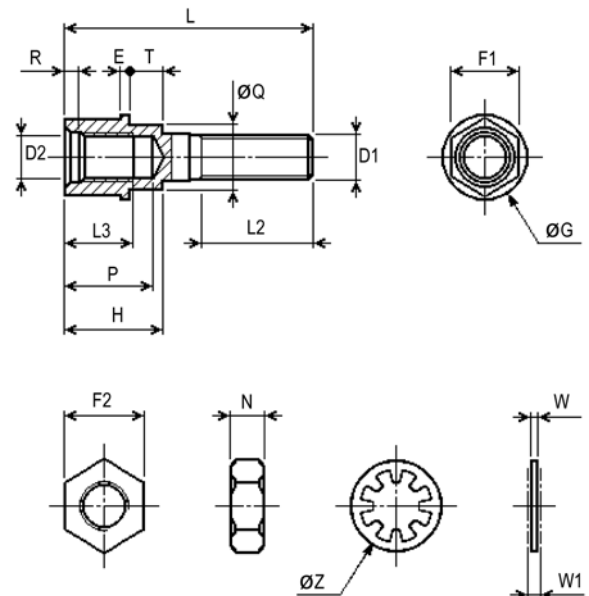
Composed of: 2 Screwlocks + 2 Washers + 2 Nuts

Total weight for a pair: 1.20 g max.

Torque value for screwlock, male side: 0.44 Nm min. / 0.48 Nm max.

Torque value for screwlock, female side: 0.28 Nm min. / 0.32 Nm max.

<b>D1</b>	2-56 UNC-2A
<b>D2</b>	2-56 UNC-2B
<b>E</b>	0,50 Typ (.020 Typ)
<b>F1</b>	3,17 Typ (.125 Typ)
<b>F2</b>	3,80 ± 0,15 (.150 ± .006)
<b>øG</b>	4,00 ± 0,05 (.157 ± .002)
<b>H</b>	4,58 + 0,04 / - 0,03 (.180 + .002 / - .001)
<b>L</b>	11,60 + 0,20 / - 0,30 (.457 + .008 / - .012)
<b>L2</b>	5,20 min. (.205 min.)
<b>L3</b>	3,20 min. (.126 min.)
<b>N</b>	1,60 ± 0,15 (.063 ± .006)
<b>P</b>	4,20 max. (.165 max.)
<b>øQ</b>	3,10 ± 0,03 (.122 ± .001)
<b>R</b>	0,70 Typ (.028 Typ)
<b>W</b>	0,30 ± 0,03 (.012 ± .001)
<b>W1</b>	0,50 Typ overall (.020 Typ overall)
<b>øZ</b>	4,55 ± 0,03 (.179 ± .001)



# 3401-032 MDM Accessories

## 90° mounting brackets

### 1 – Brackets for shell size 9 to 37

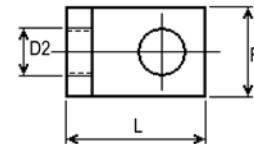
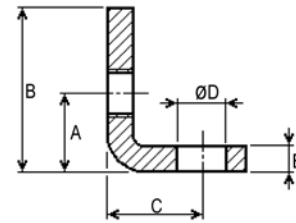
Description ESCC: 340103203B

Description FR022: MDM-015-9516-002-FR022

Composed of: 2 Brackets

Total weight for a pair: 0.84 g max.

<b>A</b>	3,73 ± 0,13 (.147 ± .005)
<b>B</b>	7,82 max. (.308 max.)
<b>C</b>	4,52 ± 0,13 (.178 ± .005)
<b>øD</b>	2,44 ± 0,13 (.096 ± .005)
<b>D2</b>	2-56 UNC-2B
<b>E</b>	1,47 max. (.058 max.)
<b>F</b>	4,32 max. (.170 max.)
<b>L</b>	6,60 max. (.260 max.)



### 2 – Brackets for shell size 51

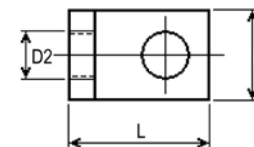
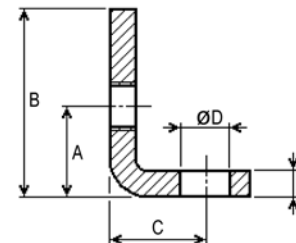
Description ESCC: 340103204B

Description FR022: MDM-015-9516-003-FR022

Composed of: 2 Brackets

Total weight for a pair: 0.90 g max.

<b>A</b>	4,29 ± 0,13 (.169 ± .005)
<b>B</b>	8,89 max. (.350 max.)
<b>C</b>	4,52 ± 0,13 (.178 ± .005)
<b>øD</b>	2,44 ± 0,13 (.096 ± .005)
<b>D2</b>	2-56 UNC-2B
<b>E</b>	1,47 max. (.058 max.)
<b>F</b>	4,32 max. (.170 max.)
<b>L</b>	6,60 max. (.260 max.)





## Screwlock assembly for connector savers – old version

### 1 – Screwlock assembly – Old version

Description ESCC: 340103205B

Description FR022: MDM-115288-380-FR022

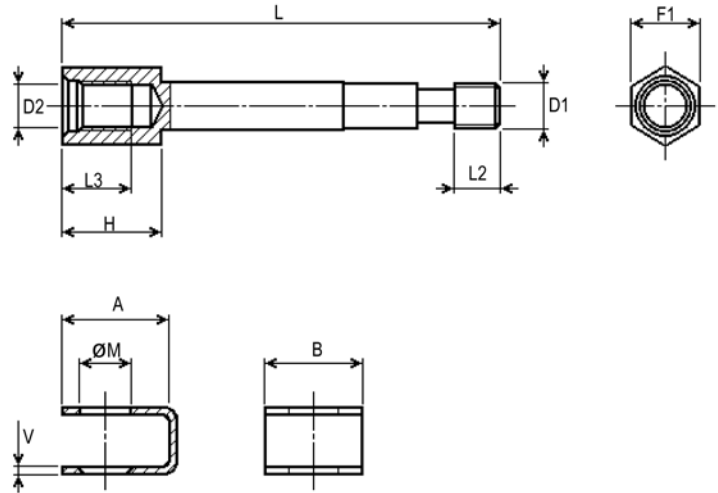
Composed of: 2 Screwlocks + 2 Clips

Total weight for a pair: 2.00 g max.

Torque value, male side: 0.36 Nm max.

Torque value, female side: 0.28 Nm max.

<b>A</b>	4,83 ± 0,25 (.190 ± .010)
<b>B</b>	4,45 max. (.175 max.)
<b>D1</b>	2-56 UNC-2A
<b>D2</b>	2-56 UNC-2B
<b>F1</b>	3,17 Typ (.125 Typ)
<b>H</b>	4,70 max. (.185 max.)
<b>L</b>	20,60 ± 0,25 (.811 ± .010)
<b>L2</b>	2,10 + 0,19 / - 0,10 (.083 + .007 / - .004)
<b>L3</b>	3,50 min. (.138 min.)
<b>øM</b>	2,35 ± 0,06 (.093 ± .002)
<b>V</b>	0,38 ± 0,03 (.015 ± .001)



### 2 – Screwlock assembly – New version

Description ESCC: 340103210B

Description FR022: MDM-115288-6921-FR022

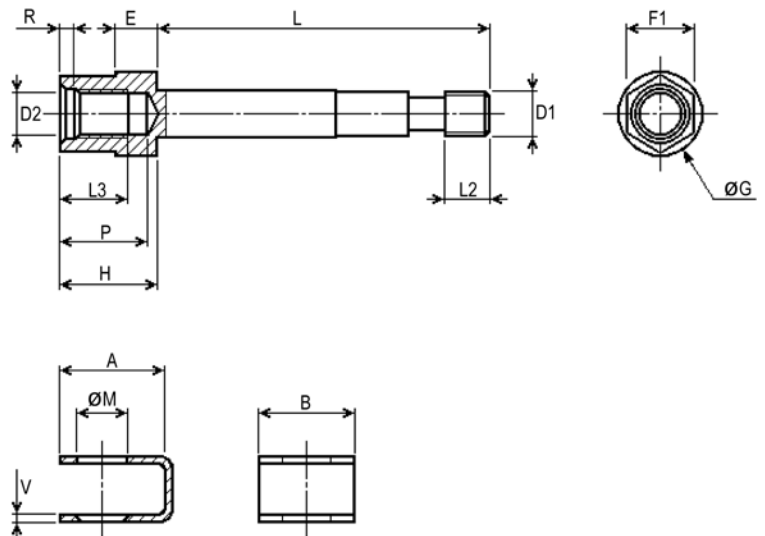
Composed of: 2 Screwlocks + 2 Clips

Total weight for a pair: 1.86 g max.

Torque value, male side: 0.36 Nm min. / 0.40 Nm max.

Torque value, female side: 0.28 Nm min. / 0.32 Nm max.

<b>A</b>	4,83 ± 0,25 (.190 ± .010)
<b>B</b>	4,45 max. (.175 max.)
<b>D1</b>	2-56 UNC-2A
<b>D2</b>	2-56 UNC-2B
<b>E</b>	2,00 Typ (.079 Typ)
<b>F1</b>	3,17 Typ (.125 Typ)
<b>øG</b>	4,00 ± 0,05 (.157 ± .002)
<b>H</b>	4,58 + 0,04 / - 0,03 (.180 + .002 / - .001)
<b>L</b>	15,65 ± 0,10 (.616 ± .004)
<b>L2</b>	2,10 + 0,19 / - 0,10 (.083 + .007 / - .004)
<b>L3</b>	3,20 min. (.126 min.)
<b>øM</b>	2,35 ± 0,06 (.093 ± .002)
<b>P</b>	4,20 max. (.165 max.)
<b>R</b>	0,70 Typ (.028 Typ)
<b>V</b>	0,38 ± 0,03 (.015 ± .001)



# 3401-032 MDM Accessories

## Screwlock for connectors FR136 / FR139 – old version

### 1 – Screwlock – Old version

Description ESCC: 340103206B

Description FR022: MDM-115288-405-FR022

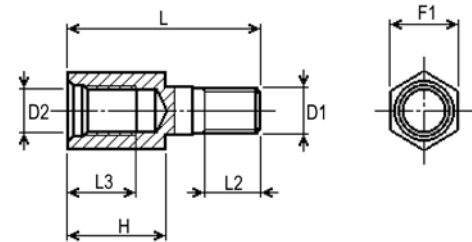
Composed of: 2 Screwlocks

Total weight for a pair: 0.60 g max.

Torque value, male side: 0.44 Nm max.

Torque value, female side: 0.28 Nm max.

<b>D1</b>	2-56 UNC-2A
<b>D2</b>	2-56 UNC-2B
<b>F1</b>	3,17 Typ (.125 Typ)
<b>H</b>	4,62 max. (.182 max.)
<b>L</b>	9,00 ± 0,25 (.354 ± .010)
<b>L2</b>	2,00 min. (.079 min.)
<b>L3</b>	3,50 min. (.138 min.)



### 2 – Screwlock – New version

Description ESCC: 340103211B

Description FR022: MDM-115288-6922-FR022

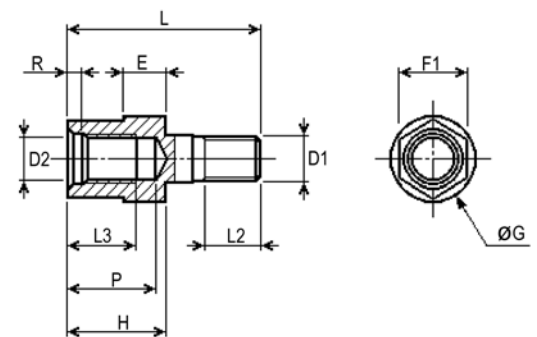
Composed of: 2 Screwlocks

Total weight for a pair: 0.86 g max.

Torque value, male side: 0.44 Nm min. / 0.48 Nm max.

Torque value, female side: 0.28 Nm min. / 0.32 Nm max.

<b>D1</b>	2-56 UNC-2A
<b>D2</b>	2-56 UNC-2B
<b>E</b>	2,00 Typ (.079 Typ)
<b>F1</b>	3,17 Typ (.125 Typ)
<b>øG</b>	4,00 ± 0,05 (.157 ± .002)
<b>H</b>	4,58 + 0,04 / - 0,03 (.180 + .002 / - .001)
<b>L</b>	9,00 ± 0,25 (.354 ± .010)
<b>L2</b>	2,00 min. (.079 min.)
<b>L3</b>	3,20 min. (.126 min.)
<b>P</b>	4,20 max. (.165 max.)
<b>R</b>	0,70 Typ (.028 Typ)

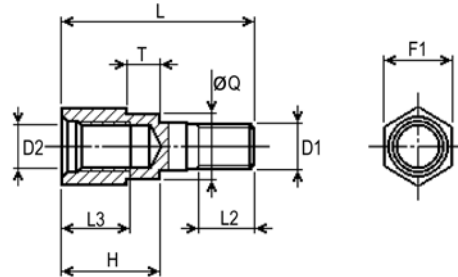


## Screwlock for connectors FR136 / FR139, rear panel mounting –old version

### 1 – Screwlock – Old version

Panel thickness:	0,80 (.031)	1,20 (.047)	1,60 (.063)	2,40 (.094)
Description according to ESCC:	MDM-115366-9203C	MDM-115366-9204C	MDM-115366-9205C	MDM-115366-9206C
Description FR022:	MDM-115288-602-FR022	MDM-115288-603-FR022	MDM-115288-604-FR022	MDM-115288-605-FR022
Dimension T:	0,67 ± 0,05 (.026 ± .002)	1,07 ± 0,05 (.042 ± .002)	1,47 ± 0,05 (.058 ± .002)	2,27 ± 0,05 (.089 ± .002)
Composed of: 2 Screwlocks				
Total weight for a pair: 0.60 g max.				
Torque value, male side: 0.44 Nm max.				
Torque value, female side: 0.28 Nm max.				

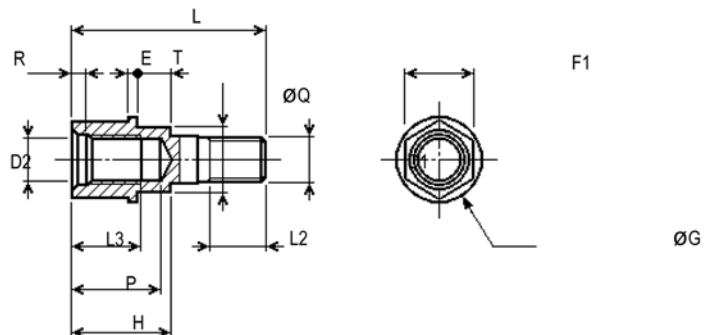
<b>D1</b>	2-56 UNC-2A
<b>D2</b>	2-56 UNC-2B
<b>F1</b>	3,17 Typ (.125 Typ)
<b>H</b>	4,62 max. (.182 max.)
<b>L</b>	9,00 ± 0,25 (.354 ± .010)
<b>L2</b>	2,00 min. (.079 min.)
<b>L3</b>	3,50 min. (.138 min.)
<b>øQ</b>	3,10 ± 0,03 (.122 ± .001)



### 1 – Screwlock – New version

Panel thickness:	0,80 (.031)	1,20 (.047)	1,60 (.063)
Description according to ESCC:	MDM-115366-9225C	MDM-115366-9226C	MDM-115366-9227C
Description FR022:	MDM-115288-6923-FR022	MDM-115288-6924-FR022	MDM-115288-6925-FR022
Dimension T:	0,73 ± 0,05 (.029 ± .002)	1,13 ± 0,05 (.044 ± .002)	1,53 ± 0,05 (.060 ± .002)
Composed of: 2 Screwlocks			
Total weight for a pair: 0.86 g max.			
Torque value for screwlock, male side: 0.44 Nm min. / 0.48 Nm max.			
Torque value for screwlock, female side: 0.28 Nm min. / 0.32 Nm max.			

<b>D1</b>	2-56 UNC-2A
<b>D2</b>	2-56 UNC-2B
<b>E</b>	0,50 Typ (.020 Typ)
<b>F1</b>	3,17 Typ (.125 Typ)
<b>øG</b>	4,00 ± 0,05 (.157 ± .002)
<b>H</b>	4,58 + 0,04 / - 0,03 (.180 + .002 / - .001)
<b>L</b>	9,00 ± 0,25 (.354 ± .010)
<b>L2</b>	2,00 min. (.079 min.)
<b>L3</b>	3,20 min. (.126 min.)
<b>P</b>	4,20 max. (.165 max.)
<b>øQ</b>	3,10 ± 0,03 (.122 ± .001)
<b>R</b>	0,70 Typ (.028 Typ)



# 3401-032 MDM Accessories

## Hardwares compatibility table

No	1	2	3	4	5	6	7	8	9	10	11	12	13	14	15	16	17	18	19	20	21	22	23	24	25	26	27	28
1		O	O													O	O	O		O								
2	O		O															O		O								
3	O	O														O	O	O										
4					X								X	X	X				X						X	X	X	X
5				X								X				X	X		X									
6							O	O	O	O	O							O										
7						O		O	O	O								O			O	O	O	O				
8						O	O											O										
9						O	O											O										
10						O	O											O										
11						O	O											O										
12					X								X	X	X				X						X	X	X	X
13				X								X							X									
14				X								X							X									
15				X								X							X									
16	O		O		X																							
17	O		O		X																							
18	O	O	O			O	O	O	O	O	O									O	O	O	O	O				
19				X	X							X	X	X	X										X	X	X	X
20	O	O																O										
21							O											O										
22							O											O										
23							O											O										
24							O											O										
25				X								X							X									
26				X								X							X									
27				X								X							X									
28				X								X							X									

Compatibility code: **O**: Compatibility between the old references  
**X**: Compatibility between the new references  
Note: There is no compatibility between the old and the new references