

SERIES: VGS-200B | **DESCRIPTION:** AC-DC POWER SUPPLY

FEATURES

- +70°C operation
- output trim
- current/voltage/temperature protections
- screw terminal interface
- switch-selectable AC input range
- low standby power consumption
- 30 mm height



| MODEL | output voltage | output current max | output power max | ripple and noise ¹ max | efficiency ² typ |
|-------------|----------------|--------------------|------------------|-----------------------------------|-----------------------------|
| | (Vdc) | (A) | (W) | (mVp-p) | (%) |
| VGS-200B-12 | 12 | 17 | 204 | 150 | 87.5 |
| VGS-200B-24 | 24 | 8.8 | 211.2 | 150 | 89.5 |
| VGS-200B-48 | 48 | 4.4 | 211.2 | 200 | 90 |

Notes: 1. 20 MHz bandwidth oscilloscope, 12" of twisted load cables paralleled with 0.1 μF ceramic and 47 μF electrolytic capacitors placed across the terminals at the load.
 2. At 230 Vac, 50 Hz, full load.
 3. All specifications are measured at Ta=25°C, nominal input voltage, and rated output load unless otherwise specified.

PART NUMBER KEY



INPUT

| parameter | conditions/description | min | typ | max | units |
|---------------------------|--|-----|-----|------|-------|
| voltage | via input selector switch ¹ | 90 | 115 | 132 | Vac |
| | | 180 | 230 | 264 | Vac |
| frequency | | 47 | | 63 | Hz |
| current | at 115 Vac, full load | | | 4 | A |
| | at 230 Vac, full load | | | 2.5 | A |
| inrush current | at 230 Vac, cold start, full load | | | 60 | A |
| leakage current | at 240 Vac | | | 2 | mA |
| no load power consumption | at 230 Vac | | | 0.75 | W |

Notes: 1. Input selector must be set to match input voltage or damage could occur.

OUTPUT

| parameter | conditions/description | min | typ | max | units |
|---------------------|---------------------------|-----|-----|------|-------|
| line regulation | | | | ±0.5 | % |
| load regulation | 12 Vdc output model | | | ±1 | % |
| | all other models | | | ±0.5 | % |
| adjustability | built in trim pot | | ±10 | | % |
| start-up time | at 115/230 Vac, full load | | | 1.5 | s |
| rise time | at 115/230 Vac, full load | | | 30 | ms |
| hold-up time | at 115 Vac, full load | 12 | | | ms |
| | at 230 Vac, full load | 16 | | | ms |
| switching frequency | | | 65 | | kHz |

PROTECTIONS

| parameter | conditions/description | min | typ | max | units |
|-----------------------------|--------------------------------|-----|-----|-----|-------|
| over voltage protection | output shutdown, auto recovery | 115 | | 150 | % |
| over current protection | output shutdown, auto recovery | 105 | | 150 | % |
| short circuit protection | output shutdown, auto recovery | | | | |
| over temperature protection | output shutdown, auto recovery | | | | |

SAFETY & COMPLIANCE

| parameter | conditions/description | min | typ | max | units |
|------------------------------------|---|-----|-------|-----|-------|
| isolation voltage | input to output for 1 minute, 10 mA | | 1,500 | | Vac |
| | input to ground for 1 minute, 10 mA | | 1,500 | | Vac |
| | output to ground for 1 minute, 10 mA | | 500 | | Vac |
| isolation resistance | input to output at 500 Vdc | 100 | | | MΩ |
| | input to ground at 500 Vdc | 100 | | | MΩ |
| | output to ground 500 Vdc | 100 | | | MΩ |
| safety approvals | IEC/EN 60950-1, UL 60950-1 | | | | |
| safety class | class I | | | | |
| conducted emissions | EN 55032:2015, Class A | | | | |
| radiated emissions | EN 55032:2015, Class A | | | | |
| voltage fluctuation and flicker | EN 61000-3-3:2013, Class A | | | | |
| ESD immunity | IEC 61000-4-2, air: ±8 kV; contact: ±4 kV, Class A | | | | |
| radiated field immunity | IEC 61000-4-3, 3 V/m, Class A | | | | |
| electrical fast transient immunity | IEC 61000-4-4, Ac power port: 1 kV; signal & telecommunication ports: 0.5 kV, Class B | | | | |

Notes: 2. The power supply is considered a component which will be installed into final equipment. The final equipment still must be tested to meet the necessary EMC directives.

SAFETY & COMPLIANCE (CONTINUED)

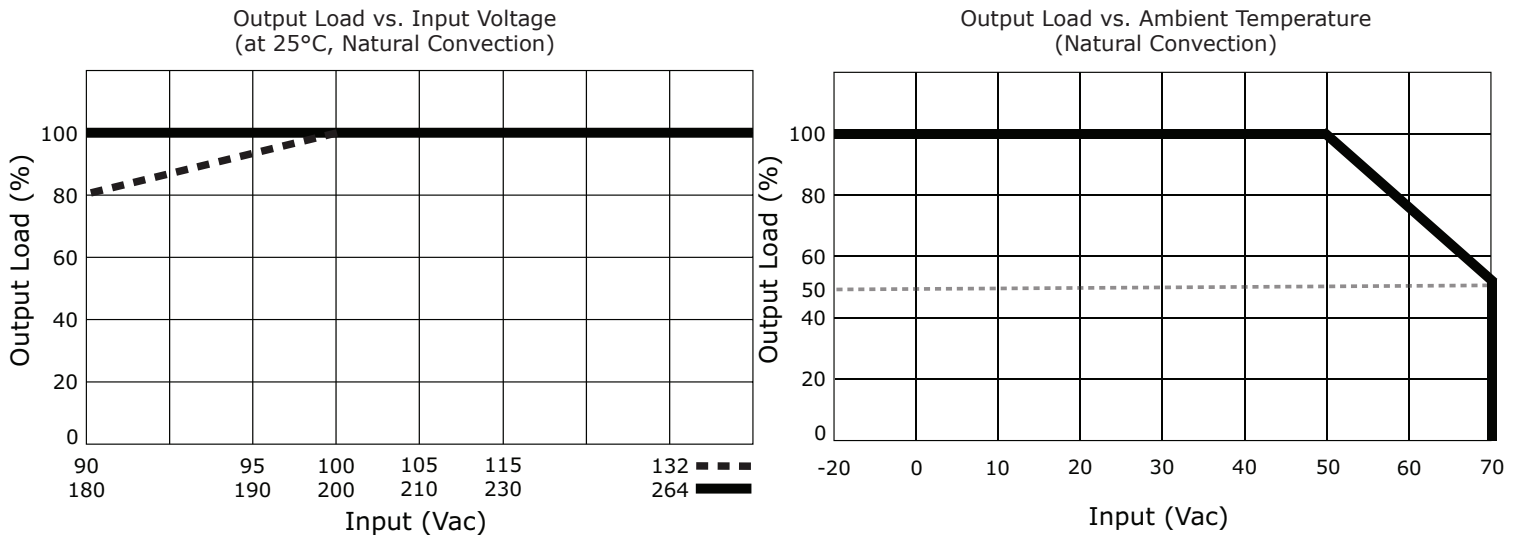
| parameter | conditions/description | min | typ | max | units |
|-----------------------------|---|-----|---------|-----|-------|
| surge immunity | IEC 61000-4-5, input L to input N: 1 kV; input L to FG: 2 kV; input N to FG: 2 kV, Class C | | | | |
| conducted immunity | IEC 61000-4-6, frequency range: 0.15~80 MHz; field strength: 3 Vms, Class A | | | | |
| magnetic field immunity | IEC 61000-4-8, 1 A/m, Class A | | | | |
| voltage dips, interruptions | IEC 61000-4-11: voltage dips >95% reduction, 0.5 period, Class A voltage dips 30% reduction, 25 period, Class B voltage dips >95% reduction, 250 period, Class C | | | | |
| MTBF | as per MIL-HDBK-217F, 25°C | | 200,000 | | hours |
| RoHS | yes | | | | |

Notes: 1. The power supply is considered a component which will be installed into final equipment. The final equipment still must be tested to meet the necessary EMC directives.

ENVIRONMENTAL

| parameter | conditions/description | min | typ | max | units |
|-----------------------|------------------------|-----|-----|-----|-------|
| operating temperature | see derating curves | -20 | | 70 | °C |
| storage temperature | | -40 | | 85 | °C |
| operating humidity | non-condensing | 20 | | 90 | % |
| storage humidity | non-condensing | 10 | | 95 | % |

DERATING CURVES



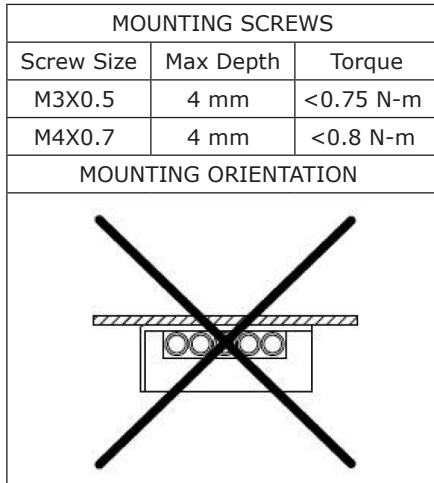
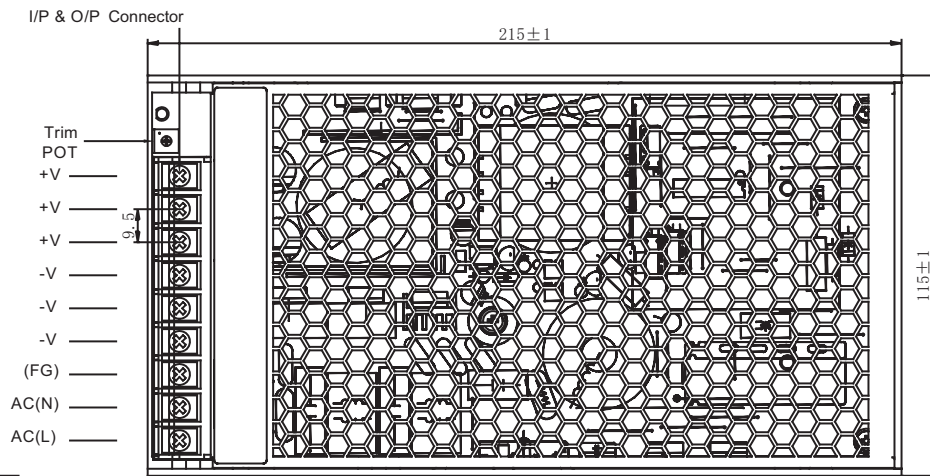
MECHANICAL

| parameter | conditions/description | min | typ | max | units |
|------------------------|---|-----|------|-----|-------|
| dimensions | 215 x 115 x 30 | | | | mm |
| weight | | | 1000 | | g |
| cooling | natural convection | | | | |
| input/output connector | screw terminals accept 22~12 AWG wire, 1.2 N-m torque | | | | |

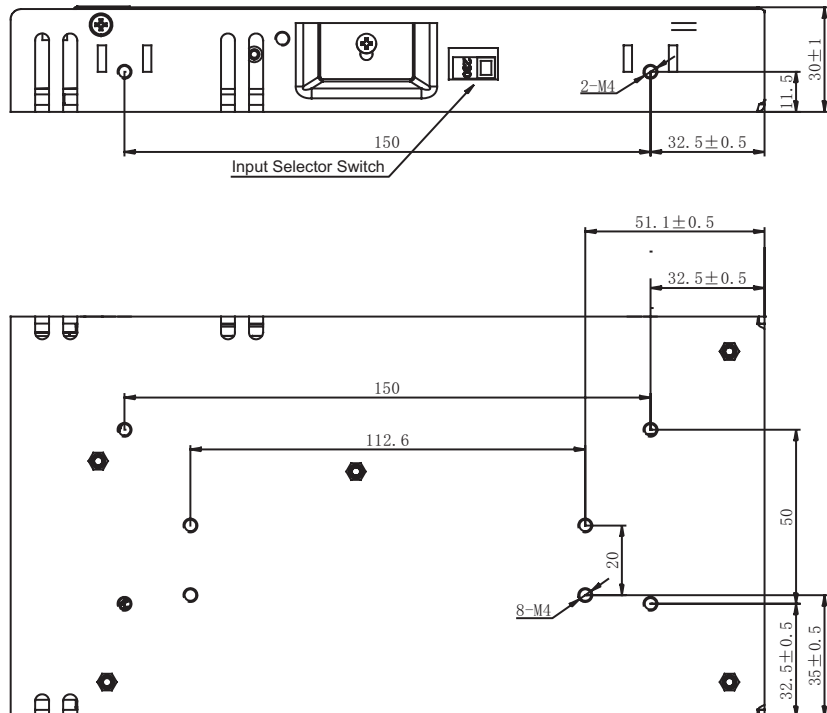
MECHANICAL DRAWING

units: mm
tolerance: ±0.3 mm

| Input/Output Connector | |
|------------------------|----------|
| PIN | Function |
| 1 | AC(L) |
| 2 | AC(N) |
| 3 | FG |
| 4 | -V |
| 5 | -V |
| 6 | -V |
| 7 | +V |
| 8 | +V |
| 9 | +V |



Note: 1. Parts should not be mounted in an upside down orientation.



REVISION HISTORY

| rev. | description | date |
|------|-----------------|------------|
| 1.0 | initial release | 06/20/2018 |

The revision history provided is for informational purposes only and is believed to be accurate.



CUI INC[®]

Headquarters
20050 SW 112th Ave.
Tualatin, OR 97062
800.275.4899

Fax 503.612.2383
cui.com
techsupport@cui.com

CUI offers a two (2) year limited warranty. Complete warranty information is listed on our website.

CUI reserves the right to make changes to the product at any time without notice. Information provided by CUI is believed to be accurate and reliable. However, no responsibility is assumed by CUI for its use, nor for any infringements of patents or other rights of third parties which may result from its use.

CUI products are not authorized or warranted for use as critical components in equipment that requires an extremely high level of reliability. A critical component is any component of a life support device or system whose failure to perform can be reasonably expected to cause the failure of the life support device or system, or to affect its safety or effectiveness.