

Safety magnetic sensors

Magnetic units

CLS series

CARLO GAVAZZI



- Multiple flux coded magnets
- Rectangular shape (CLS)
- Cylindrical shape plastic (CLSA2, CLSA3)
- Cylindrical shape metal (CLSA2M)

Product Description

The coded magnet series with SMS Safety magnetic includes multiple flux sensors. Also metallic case is available (CLSA2M).
 The coded magnet series with SMS Safety magnetic includes multiple flux sensors. Also metallic case is available (CLSA2M).
 magnets to be used together

Ordering Key

CLS A2 M

Safety Magnetic unit _____
 Housing _____
 Case Material _____

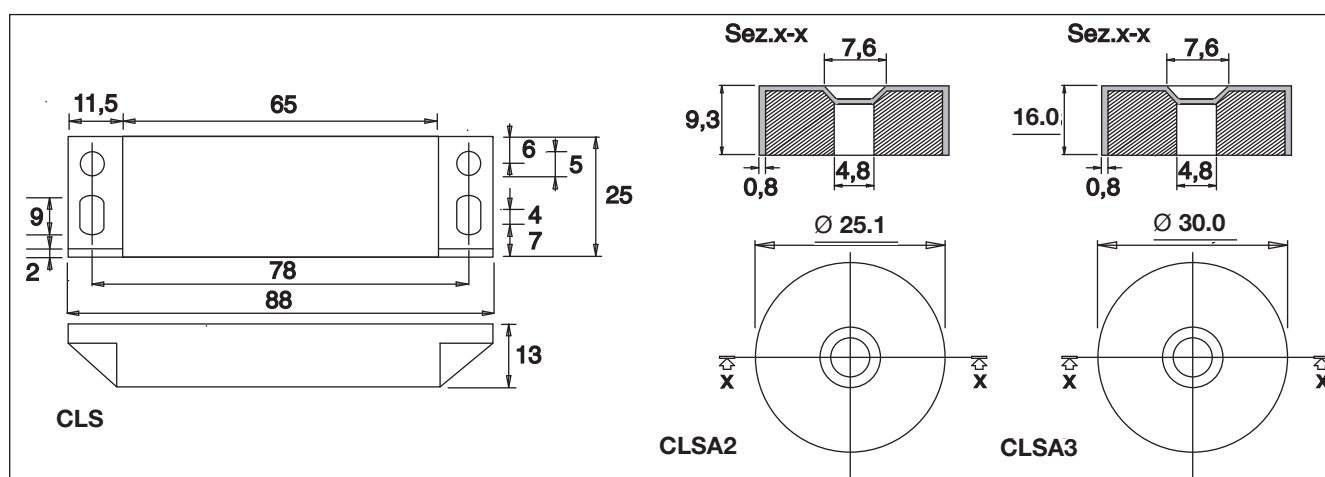
Type Selection

Body shape	Dimensions	Case material	Item code	Item Code (UL)
Rectangular	88 x 25 x 13 mm	Plastic	CLS	CLS D88 P M0
Cylindrical	Ø 25.1 x 9.3 mm	Plastic	CLS A2	CLS A25 P C0
Cylindrical	Ø 25.1 x 9.3 mm	Stainless steel	CLS A2 M	CLS A25 M N0
Cylindrical	Ø 30.0 x 16.0 mm	Plastic	CLS A3	CLS A30 P E0

General Specifications

Housing	Dimensions	Weight	Environment
Material	CLS, CLSAXXPXX, CLSA25M	CLS: Approx. 35 g CLSA2: Approx. 13 g CLSA2M: Approx. 25 g CLSA3: Approx. 18 g	Degree of protection: IP 67 Operating temperature: -25 to +70 °C Storage temperature: -25 to +70 °C
Material	CLS, CLSAXXPXX, CLSA25M		
	CLS: 88x25x13 mm CLSA2: Ø 25.1 x 9.3 mm CLSA3: Ø 30.0 x 16.0 mm		
	Plastic Stainless steel		

Dimensions



Safety Magnetic Sensors