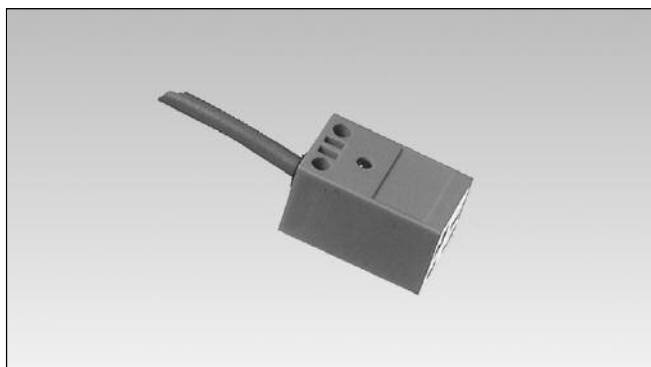


# Proximity Sensors Inductive Rectangular Plastic Housings Types IC, Cable

CARLO GAVAZZI



- Plastic housing
- Sensing distance: 4 mm
- Non-flush mounting
- Output: Transistor, NPN/PNP, normally open
- Power supply: 10 to 30 VDC
- 2 m PVC cable

## Product Description

Inductive proximity sensor in rectangular plastic housing. This series is suitable for the control of axial and rotational movements. Output con-

figured as PNP or NPN, normally open. Connection with 2 m PVC cable.

## Ordering Key

**IC 17 CNC 04 NO-K**

Ind. prox. switch	_____
Housing style	_____
Housing size	_____
Housing material	_____
Housing length	_____
Detection principle	_____
Sensing distance	_____
Output type	_____
Output configuration	_____

## Type Selection

Rated op. dist. (S <sub>n</sub> )	Connection	Housing dimensions [mm]	Ordering no. Transistor, NPN Normally open	Ordering no. Transistor, PNP Normally open
4 mm	Cable	17.5 x 17 x 28.5	IC 17 CNC 04 NO-K	IC 17 CNC 04 PO-K

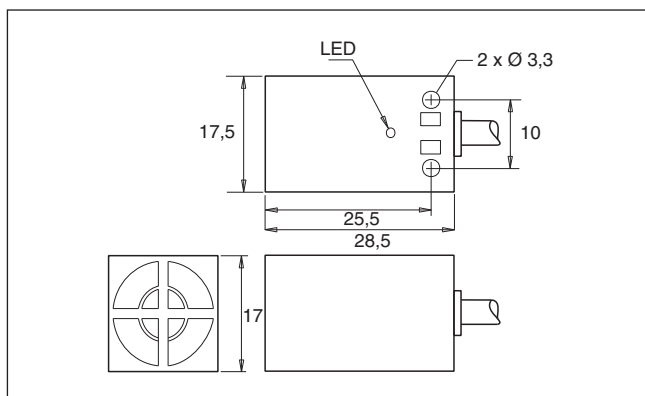
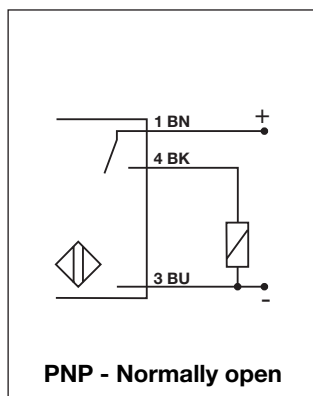
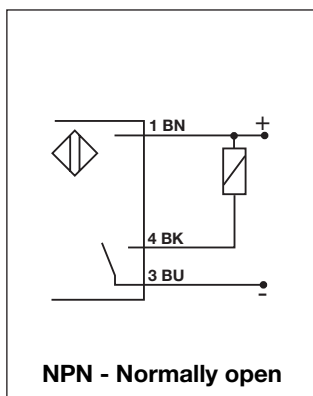
## Specifications

Rated operational volt. (U <sub>B</sub> )	10 to 30 VDC (ripple included)	Sensing distance	4 mm
Ripple	≤ 10%	Effective operating dist. (S <sub>r</sub> )	0.9 x S <sub>n</sub> ≤ S <sub>r</sub> ≤ 1.1 x S <sub>n</sub>
Rated operational current (I <sub>e</sub> ) Continuous	≤ 100 mA @ 25°C	Usable operating dist. (S <sub>u</sub> )	0.85 x S <sub>r</sub> ≤ S <sub>u</sub> ≤ 1.15 x S <sub>r</sub>
No-load supply current (I <sub>o</sub> )	≤ 12 mA (ON)	Ambient temperature	Operating: -25° to +70°C (-13° to +158°F) Storage: -30° to +75°C (-22° to +167°F)
Voltage drop (U <sub>d</sub> )	< 1 V (@ I <sub>max</sub> )	Degree of protection	IP 67 (Nema 1, 3, 4, 6, 13)
Frequency of op. cycles (f)	500 Hz	Housing material	Plastic
Indication for output ON	LED, yellow	CE-marking	Yes
		Connection	Cable, 2 m, PVC, AWG 26



## Wiring Diagrams

## Dimensions



## Installation Hints

*To avoid interference from inductive voltage/current peaks, separate the prox. switch power cables from any other power cables, e.g. motor, contactor or solenoid cables*

*Relief of cable strain*

The cable should not be pulled

*Protection of the sensing face*

A proximity switch should not serve as mechanical stop

*Switch mounted on mobile carrier*

Any repetitive flexing of the cable should be avoided