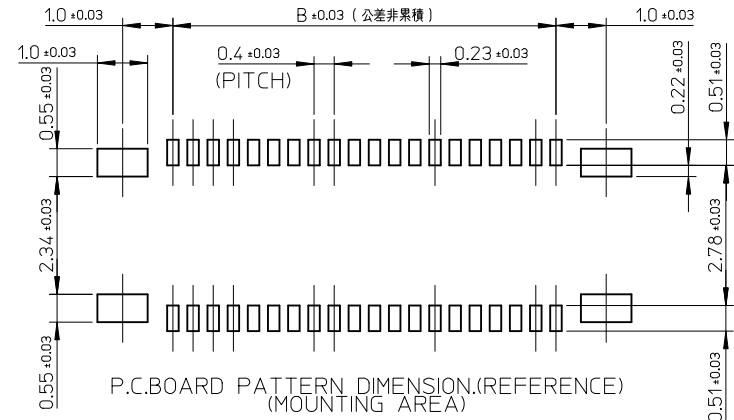
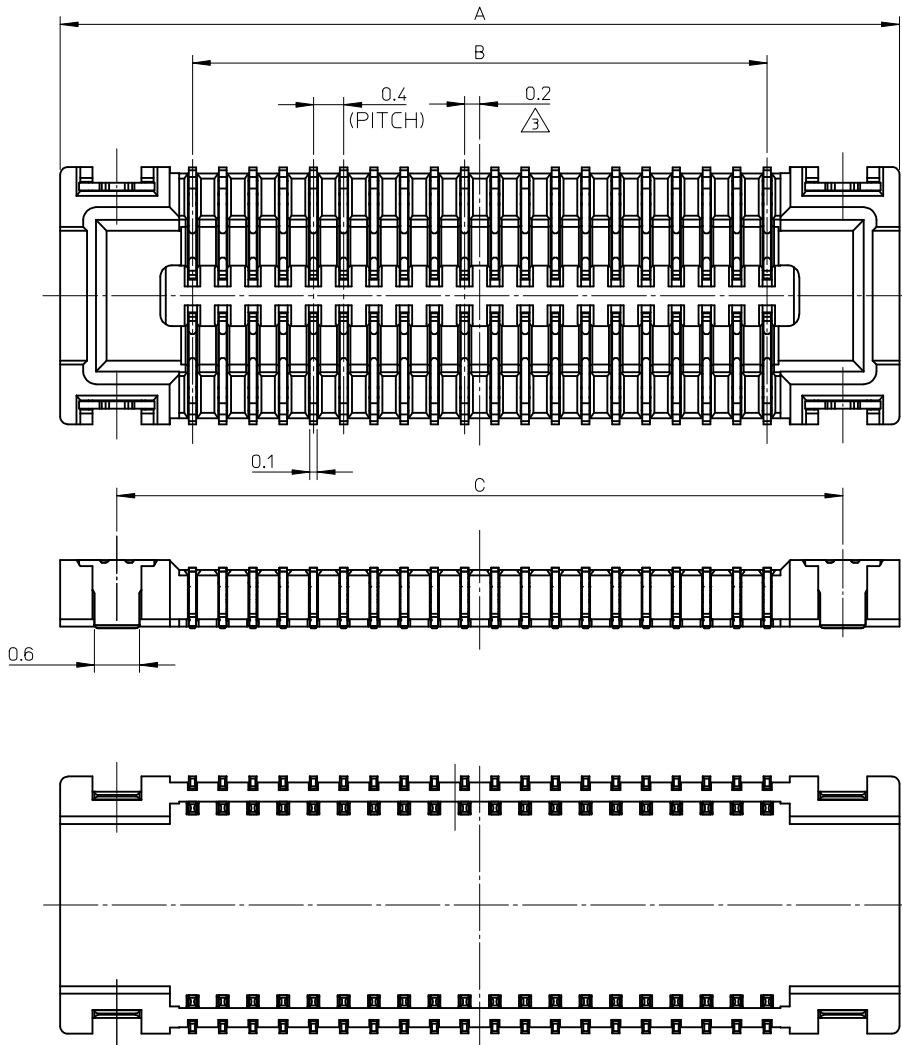


10 9 8 7 6 5 4 3 2 1



| | | | | | |
|------|------|------|-----------------------|--------------|---------|
| 15.6 | 13.6 | 17.1 | 501591-7011 | 501591-7010 | 70 |
| 12.4 | 10.4 | 13.9 | 501591-5411 | 501591-5410 | 54 |
| 11.6 | 9.6 | 13.1 | 501591-5011 | 501591-5010 | 50 |
| 10.4 | 8.4 | 11.9 | 501591-4411 | 501591-4410 | 44 |
| 9.6 | 7.6 | 11.1 | 501591-4011 | 501591-4010 | 40 |
| 8.4 | 6.4 | 9.9 | 501591-3411 | 501591-3410 | 34 |
| 7.6 | 5.6 | 9.1 | 501591-3011 | 501591-3010 | 30 |
| 6.8 | 4.8 | 8.3 | 501591-2611 | 501591-2610 | 26 |
| 6.4 | 4.4 | 7.9 | 501591-2411 | 501591-2410 | 24 |
| 6.0 | 4.0 | 7.5 | 501591-2211 | 501591-2210 | 22 |
| 5.6 | 3.6 | 7.1 | 501591-2011 | 501591-2010 | 20 |
| 4.0 | 2.0 | 5.5 | 501591-1211 | 501591-1210 | 12 |
| 3.6 | 1.6 | 5.1 | 501591-1011 | 501591-1010 | 10 |
| C | B | A | EMBOSSED TAPE PACKAGE | MATERIAL NO. | CIRCUIT |
| | | | ORDER No. | | |

| | | | | | | | |
|--|---------------------------------------|--|----------------------------|---|--|-------------------------------|------------------------|
| REVISED EC NO: J2008-3370 DRW:KSE10 2008/06/17 CHK:D:MSASAO 2008/06/17 APPR:MSASAO 2008/06/25 | GENERAL TOLERANCES (UNLESS SPECIFIED) | | DIMENSION STYLE MM ONLY | | SCALE --- | DESIGN UNITS METRIC | THIRD ANGLE PROJECTION |
| | 10 UNDER | ± 0.2 | DRAWN BY TASAKAWA | DATE 2006/07/10 | TITLE 0.4MM PITCH B/B CONN. H=0.9 W=3.4 REC ASSY | | |
| | 10 OVER 30 UNDER | ± 0.25 | CHECKED BY MSASAO | DATE 2006/07/10 | MOLEX INCORPORATED | | |
| | 30 OVER | ± 0.3 | APPROVED BY MSASAO | DATE 2006/07/10 | MATERIAL NO. SEE TABLE | DOCUMENT NO. SD-501591-005 | SHEET NO. 1 OF 2 |
| ANGULAR ±3 ° | | DRAFT WHERE APPLICABLE MUST REMAIN WITHIN DIMENSIONS | | THIS DRAWING CONTAINS INFORMATION THAT IS PROPRIETARY TO MOLEX INCORPORATED AND SHOULD NOT BE USED WITHOUT WRITTEN PERMISSION | | | |

注記 NOTES

1. 使用材料 MATERIAL

ハウジング: 液晶ポリマー (LCP) ガラス充填 UL-94V-0 (黒)
 HOSING: LIQUID CRYSTAL POLYMER (GLASS FILLED) UL94V-0 (COLOR:BLACK)

ターミナル: リン青銅 (t=0.1)
 TERMINAL: PHOSHOR BRONZE (t=0.1)

金具: リン青銅 (t=0.1)
 FITTING NAIL: PHOSHOR BRONZE (t=0.1)

2. メッキ仕様 PLATING

ターミナル TERMINAL

金メッキ 0.1マイクロメートル以上 (コンタクト部)
 GOLD 0.1 MICROMETER MINIMUM (CONTACT AREA)

金メッキ 0.05マイクロメートル以上 (テール部)
 GOLD 0.05 MICROMETER MINIMUM (TAIL AREA)

下地メッキ: ニッケルメッキ 1.0 マイクロメートル以上
 UNDER PLATING: NICKEL 1.0 MICROMETER MINIMUM

金具 FITTING NAIL

錫メッキ: 1.0マイクロメートル以上
 TIN PLATING: 1.0 MICROMETER MINIMUM

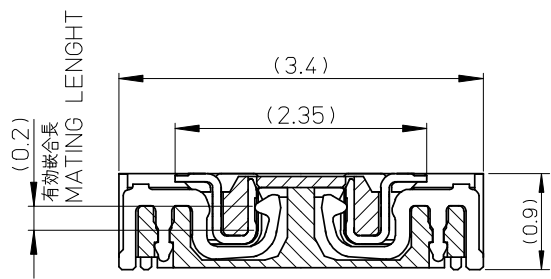
下地メッキ: ニッケル 1.0マイクロメートル以上
 UNDER PLATING: NICKEL 1.0 MICROMETER MINIMUM

△ (全極数/2)=偶数の場合に適用
 APPLY FOR (CIRCUIT/2)=EVEN

4. 嵌合相手: 501594-**10 シリーズ
 WITH MATE: 501594-**10 SERIES

5. テール及び金具の平坦度は、0.1以下
 TAIL AND FITTING NAIL COPLANARITY TO BE 0.1 MAXIMUM

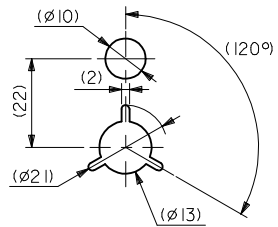
6. ELV AND RoHS COMPLIANT.



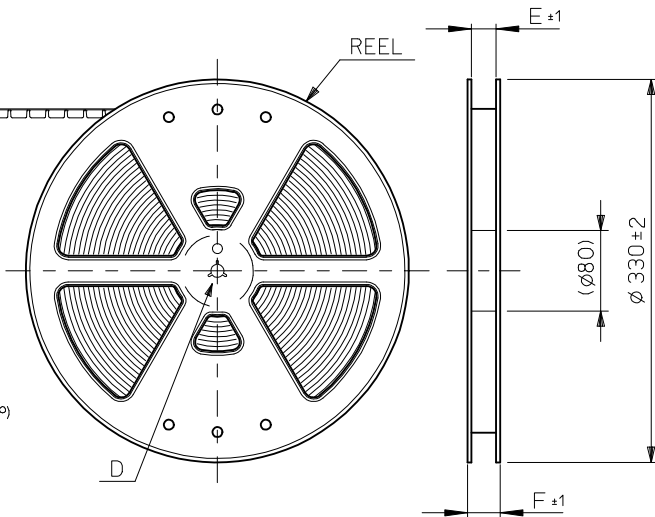
嵌合断面図 (参考)
 MATED DRAWING

| | | | | | | | | | |
|---|---------------------------------------|-------|--|--------------------|--|------------------------|------------------------|--|-------------------------------|
| REVISED EC NO: J2008-3370 T DRWN:KSETO 2008/06/17 CH'KD:MSASAO 2008/06/17 APPR:MSASAO 2008/06/25 REV | GENERAL TOLERANCES (UNLESS SPECIFIED) | | DIMENSION STYLE MM ONLY | | SCALE --- | DESIGN UNITS METRIC | THIRD ANGLE PROJECTION | | |
| | 10 UNDER | ±0.2 | DRAWN BY TASAKAWA | DATE 2006/07/10 | TITLE 0.4MM PITCH B/B CONN. H=0.9 W=3.4 REC ASSY | | | | |
| | 10 OVER 30 UNDER | ±0.25 | CHECKED BY MSASAO | DATE 2006/07/10 | | | | | |
| | 30 OVER | ±0.3 | APPROVED BY MSASAO | DATE 2006/07/10 | MOLEX MOLEX INCORPORATED | | | | |
| | ANGULAR ±3 ° | | MATERIAL NO. SEE SHEET 1 | | | | | | DOCUMENT NO. SD-501591-005 |
| DRAFT WHERE APPLICABLE MUST REMAIN WITHIN DIMENSIONS | | | THIS DRAWING CONTAINS INFORMATION THAT IS PROPRIETARY TO MOLEX INCORPORATED AND SHOULD NOT BE USED WITHOUT WRITTEN PERMISSION SIZE A3 | | | | | | |

引き出し方向
PULL OUT DIRECTION

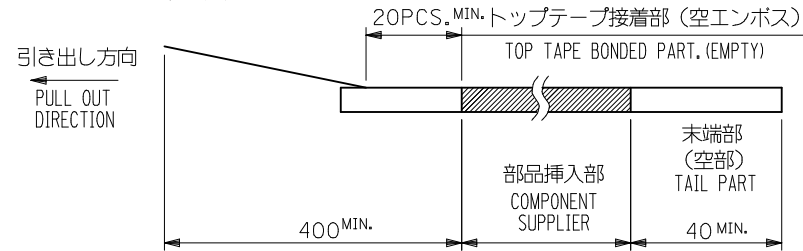


DETAIL D



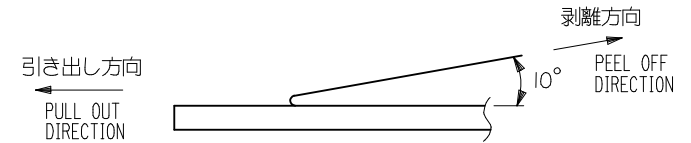
NOTES

- 製品詳細寸法については製品単体図面を参照下さい。
RE DETAILED DIMENSION, SEE PRODUCT DRAWING.
- 梱包数量：3000 個/リール
NUMBER OF CONNECTORS : 3000 PCS/REEL
- リードテープ長さ LEAD TAPE LENGTH



- トップテープの剥離強度：JES-59 参照
剥離方向は下図参照。

PEELING OFF STRENGTH OF TOP TAPE : REFER TO JES-59
PEELING DIRECTION AS SHOWN IN FOLLOWING FIGURE.

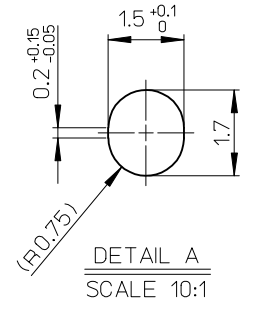
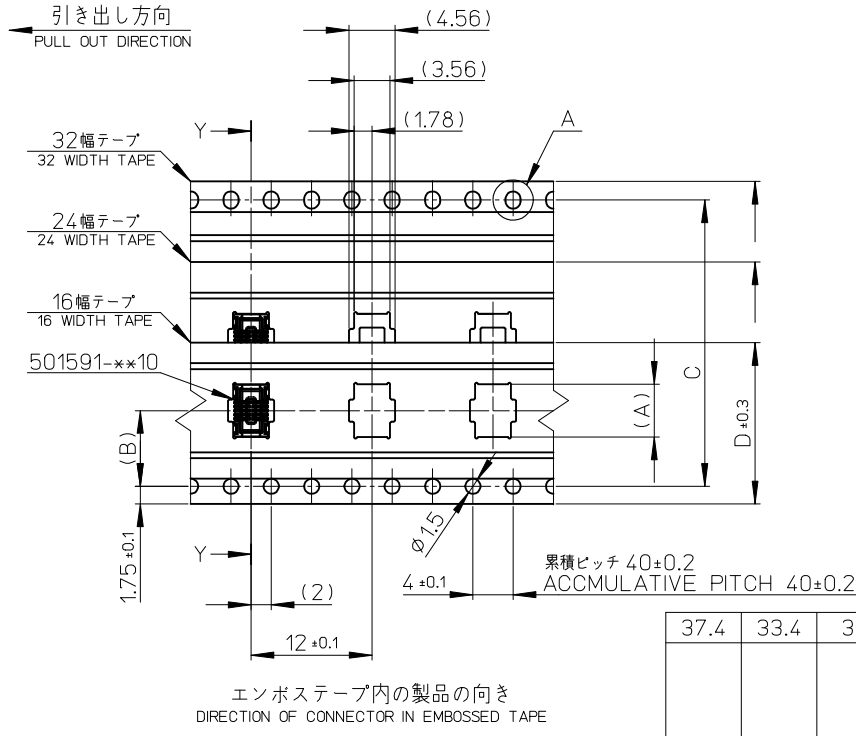
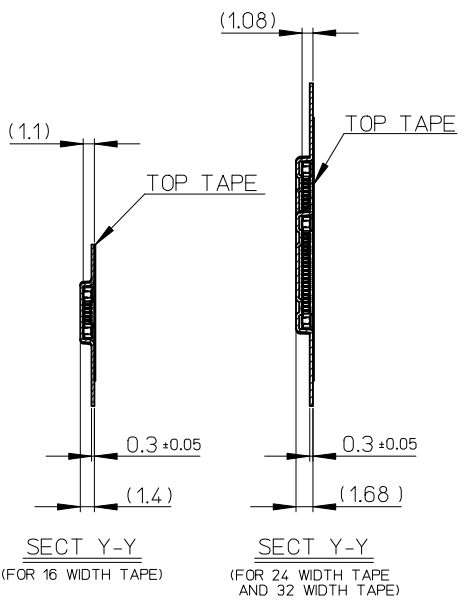


- 材料 MATERIAL

キャリアテープ (CARRIER TAPE) : ホリスチレン (POLYSTYLENE)
 トップテープ (TOPTAPE) : PET , PE , PEF
 リール (REEL) : ポリスチレン (PS) <リサイクル材を含む>
 POLYSTYLENE (PS) <RECYCLE MATERIAL CONTAINED>

6.ELV AND RoHS COMPLIANT.

| | | | | | | | | |
|--|--------------------|--|--|---------------------------------------|--|---|-------------------------------|---------------------|
| REVISED EC NO: J2008-3370 DRW:KSETO 2008/06/17 CHKD:MSASAO 2008/06/17 APPR:MSASAO 2008/06/25 | DESCRIPTION REV | GENERAL TOLERANCES (UNLESS SPECIFIED) | | DIMENSION STYLE MM ONLY | | SCALE --- | 501591-**11 | MODEL NO. |
| | | 10 UNDER ±0.2 | | DRAWN BY DATE TASAKAWA 2006/07/10 | | TITLE | DESIGN UNITS METRIC | |
| | | 10 OVER 30 UNDER ±0.25 | | CHECKED BY DATE MSASAO 2006/07/10 | | MOLEX INCORPORATED | THIRD ANGLE PROJECTION | |
| | | 30 OVER ±0.3 | | APPROVED BY DATE MSASAO 2006/07/10 | | | DOCUMENT NO. SD-501591-006 | SHEET NO. 1 OF 2 |
| ANGULAR ±3 ° | | DRAFT WHERE APPLICABLE MUST REMAIN WITHIN DIMENSIONS | | MATERIAL NO. SEE SHEET 1 | | THIS DRAWING CONTAINS INFORMATION THAT IS PROPRIETARY TO MOLEX INCORPORATED AND SHOULD NOT BE USED WITHOUT WRITTEN PERMISSION | | |



| | | | | | | | |
|------|------|----|------|------|-------|--------------|-----------|
| 37.4 | 33.4 | 32 | 28.4 | 14.2 | 17.26 | 501591-7011 | 70 |
| | | | | | 14.06 | 501591-5411 | 54 |
| | | | | | 13.26 | 501591-5011 | 50 |
| | | | | | 12.06 | 501591-4411 | 44 |
| | | | | | 11.26 | 501591-4011 | 40 |
| 29.4 | 25.4 | 24 | — | 11.5 | 10.06 | 501591-3411 | 34 |
| | | | | | 9.26 | 501591-3011 | 30 |
| | | | | | 8.46 | 501591-2611 | 26 |
| | | | | | 8.06 | 501591-2411 | 24 |
| | | | | | 7.66 | 501591-2211 | 22 |
| | | | | | 7.26 | 501591-2011 | 20 |
| 21.4 | 17.4 | 16 | — | 7.5 | 5.66 | 501591-1211 | 12 |
| | | | | | 5.26 | 501591-1011 | 10 |
| F | E | D | C | (B) | (A) | MATERIAL No. | 極数 CKT |

| | | | | | | | | | |
|---|---------------------------------------|--------|--|--|---------------------------|---|--------------------|-----------------------|--|
| REVISED EC NO: J2008-3370 DRW:KSE10 2008/06/17 CHK:D:MSASAO 2008/06/17 APPR:MSASAO 2008/06/25 | GENERAL TOLERANCES (UNLESS SPECIFIED) | | DIMENSION STYLE MM ONLY | | SCALE --- | DESIGN UNITS METRIC | | 501591-**11 MODEL No. | |
| | 10 UNDER | ± 0.2 | DRAWN BY TASAKAWA | | DATE 2006/07/10 | TITLE 0.4 B-TO-B CONN. REC ASSY (HGT=0.9) EMBSTP PKG | | | |
| | 10 OVER 30 UNDER | ± 0.25 | CHECKED BY MSASAO | | DATE 2006/07/10 | APPROVED BY MSASAO | | | |
| | 30 OVER | ± 0.3 | APPROVED BY MSASAO | | DATE 2006/07/10 | DOCUMENT NO. SD-501591-006 | | SHEET NO. 2 OF 2 | |
| | ANGULAR ± 3 ° | | DRAFT WHERE APPLICABLE MUST REMAIN WITHIN DIMENSIONS | | MATERIAL NO. SEE TABLE | | MOLEX INCORPORATED | | |