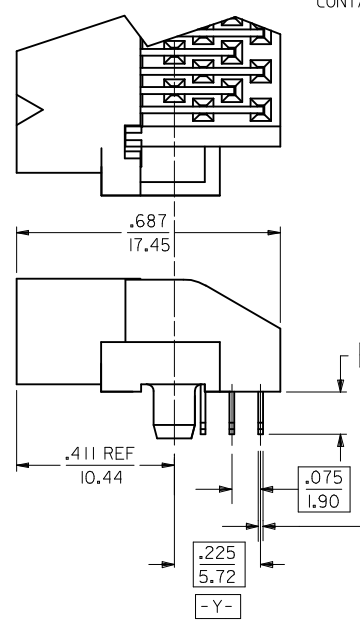
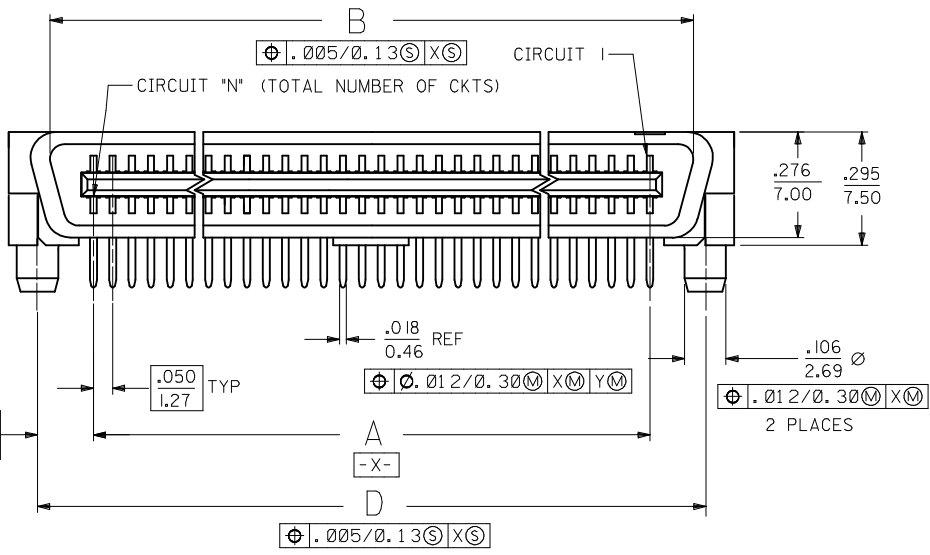
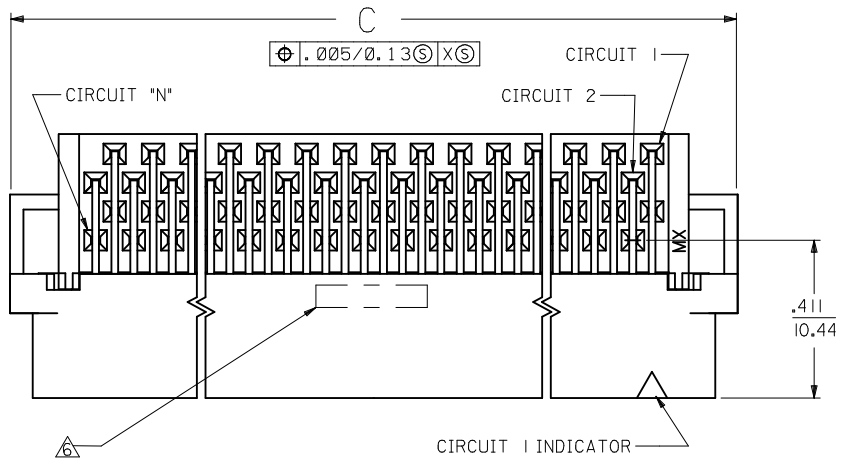
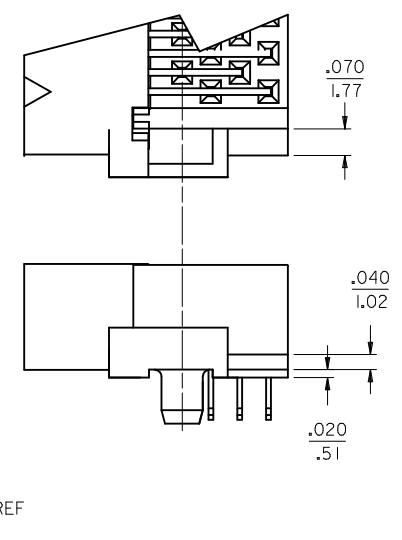


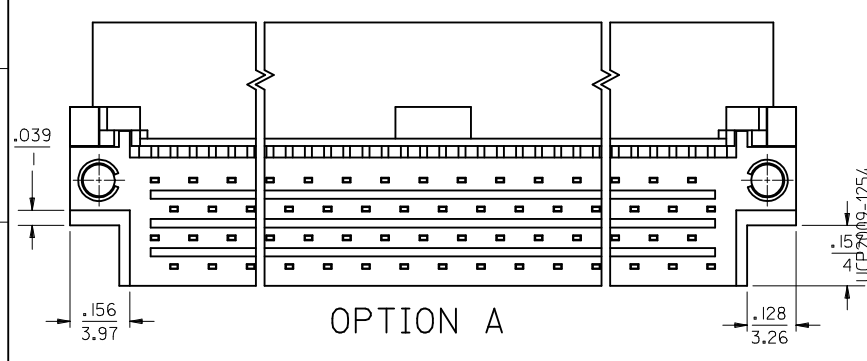
NOTES:  
 1. MATERIAL:  
 HOUSING: LIQUID CRYSTAL POLYMER (LCP), GLAS-FILLED, UL 94V-0,  
 COLOR: BLASK  
 TERMINALS: BRASS  
 2. FINISH:  
 TERMINAL: 0.76 MICROMETERS/30 MICROINCHES MINIMUM SELECTIVE GOLD  
 IN CONTACT AREA, 1.27 MICROMETERS/50 MICROINCHES MINIMUM  
 SELECTIVE TIN IN THE PC TAIL AREA; NICKEL UNDERPLATE OVERALL  
 3. ASSEMBLY MATES WITH MOLEX P/N SDA-71660-\*\*\*\*  
 4. CONFORMS TO PRODUCT SPEC: PS-71660  
 ⚠️ RECOMMENDED PC BOARD THICKNESS IS .062/1.60  
 ⚠️ FOUR DIGIT DATE CODE (WK,YR) EXAMPLE 26 96 LOCATED IN AREA SHOWN  
 ⚠️ TOOLING STATUS: "X" INDICATES NO TOOLING AVAILABLE  
 CONTACT FACTORY FOR FURTHER INFORMATION



END DETAIL  
 OPTION A  
 (BOTH ENDS)



END DETAIL  
 OPTION B  
 (BOTH ENDS)



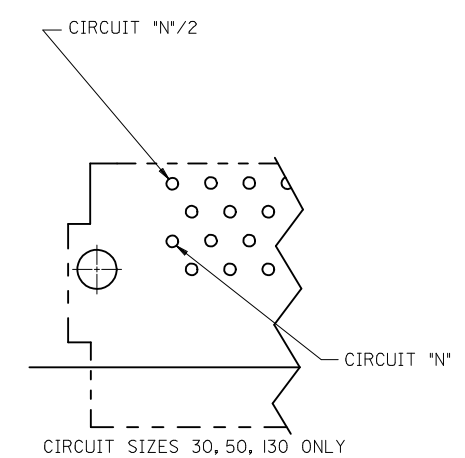
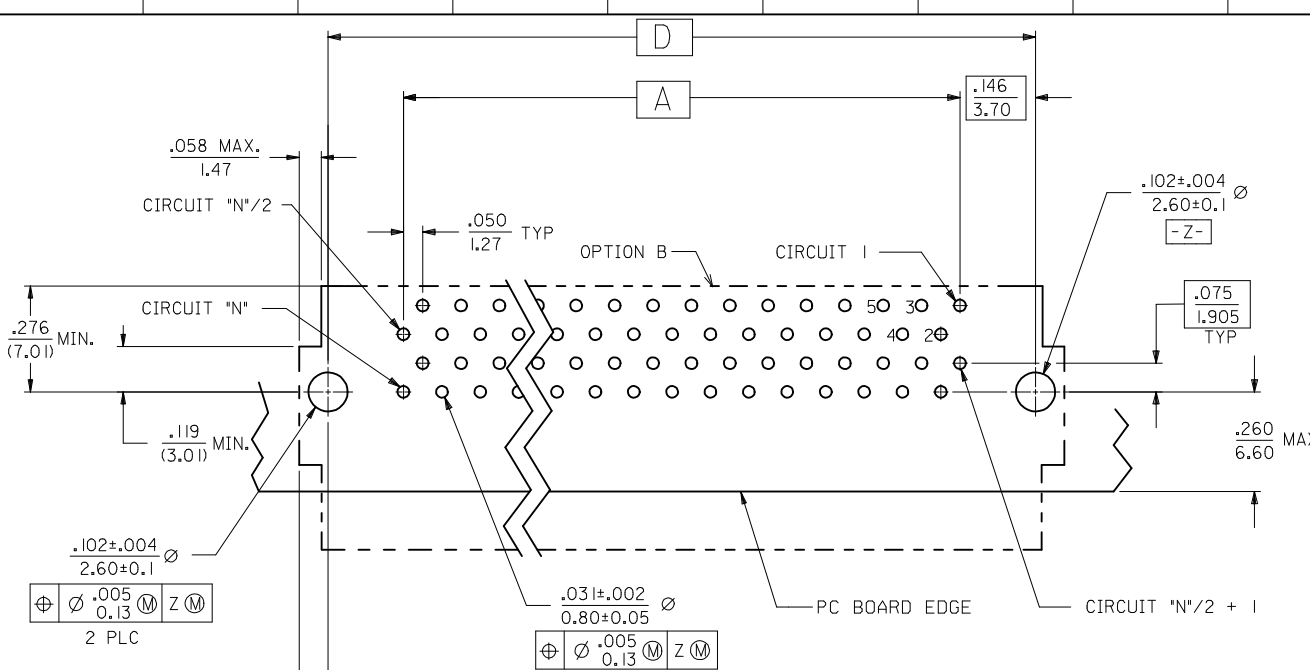
OPTION A

CHANGE MATERIAL	2008/12/19	DRWIN'S BARRA
EC NO:	2009/01/06	CHKD:BBARKER
REV	2009/01/06	APPR:SMILLER

QUALITY SYMBOLS	DESCRIPTION
▽=0	
▽=0	

GENERAL TOLERANCES (UNLESS SPECIFIED)	DIMENSION STYLE IN/MM
4 PLACES ± --- ± ---	DRAWN BY DATE
3 PLACES ± --- ± .010	RAN 1993/02/23
2 PLACES ± 0.25 ± ---	CHECKED BY DATE
1 PLACE ± --- ± ---	RAN 1993/02/23
ANGULAR ± 1/2°	APPROVED BY DATE
	CAB 1993/02/23

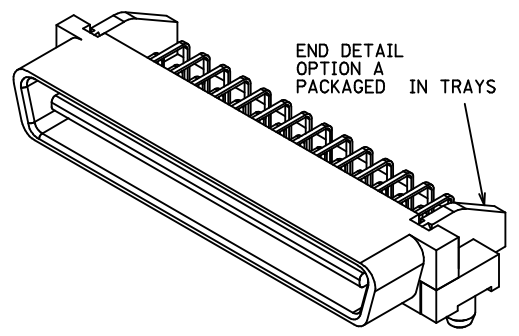
SCALE 4:1	DESIGN UNITS INCH	THIRD ANGLE PROJECTION
TITLE		
SALES ASSEMBLY		
EBBI 50D RIGHT ANGLE		
PLUG CONNECTOR		
MATERIAL NO. SEE TABLE		DOCUMENT NO. SDA-71661-2***
SHEET NO. 1 OF 2		



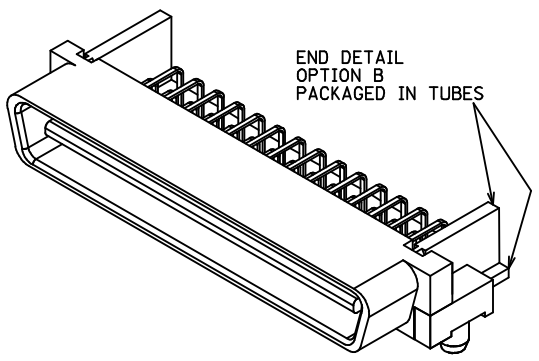
TRAY PACK  
PER SPEC.  
PK-70873-084\*

END DETAIL  
OPTION "A"

RECOMMENDED PC BOARD LAYOUT  
COMPONENT SIDE



50 CIRCUIT ASSEMBLY SHOWN



	3.491 (88.68)	3.642 (92.50)	3.426 (87.02)	3.200 (81.28)		
.125 (3.18)	3.241 (82.33)	3.392 (86.15)	3.176 (80.67)	2.950 (74.93)	130	7166 I-2430
	2.741 (69.63)	2.892 (73.45)	2.676 (67.97)	2.450 (62.23)	120	7166 I-2420
	2.241 (56.93)	2.392 (60.75)	2.176 (55.27)	1.950 (49.53)	100	7166 I-2400
	1.941 (49.31)	2.092 (53.13)	1.875 (47.65)	1.650 (41.91)	80	7166 I-2380
	1.741 (44.23)	1.892 (48.05)	1.676 (42.57)	1.450 (36.83)	68	7166 I-2368
	1.491 (37.88)	1.642 (41.70)	1.426 (36.22)	1.200 (30.48)	60	7166 I-2360
	1.241 (31.53)	1.392 (35.35)	1.176 (29.87)	.950 (24.13)	50	7166 I-2350
	.991 (25.18)	1.142 (29.00)	.925 (23.52)	.700 (17.78)	40	7166 I-2340
.110 (2.79)	3.491 (88.68)	3.642 (92.50)	3.426 (87.02)	3.200 (81.28)	130	7166 I-2130
	3.241 (82.33)	3.392 (86.15)	3.176 (80.67)	2.950 (74.93)	120	7166 I-2120
	2.741 (69.63)	2.892 (73.45)	2.676 (67.97)	2.450 (62.23)	100	7166 I-2100
	2.241 (56.93)	2.392 (60.75)	2.176 (55.27)	1.950 (49.53)	80	7166 I-2080
	1.941 (49.31)	2.092 (53.13)	1.875 (47.65)	1.650 (41.91)	68	7166 I-2068
	1.741 (44.23)	1.892 (48.05)	1.676 (42.57)	1.450 (36.83)	60	7166 I-2060
	1.491 (37.88)	1.642 (41.70)	1.426 (36.22)	1.200 (30.48)	50	7166 I-2050
	1.241 (31.53)	1.392 (35.35)	1.176 (29.87)	.950 (24.13)	40	7166 I-2040
	.991 (25.18)	1.142 (29.00)	.925 (23.52)	.700 (17.78)	30	7166 I-2030
E	D	C	B	A	CKT ("N")	ITEM NUMBER

<b>CHANGE MATERIAL</b> EC NO: UCP2009-1254 DRWINSI BARRA 2008/12/19 CHKD:BBARKER 2009/01/06 APPR:SMILLER 2009/01/06	QUALITY SYMBOLS ▽=0 ▽=0	GENERAL TOLERANCES (UNLESS SPECIFIED)		DIMENSION STYLE <b>IN/MM</b>		SCALE <b>4:1</b>	DESIGN UNITS <b>INCH</b>	THIRD ANGLE PROJECTION
		DRAWN BY RAN	DATE 1993/02/23	CHECKED BY RAN	DATE 1993/02/23	APPROVED BY CAB	DATE 1993/02/23	<b>MOLEX INCORPORATED</b> SDA-71661-2***
DRAFT WHERE APPLICABLE MUST REMAIN WITHIN DIMENSIONS		MATERIAL NO. <b>SEE TABLE</b>		DOCUMENT NO.		THIS DRAWING CONTAINS INFORMATION THAT IS PROPRIETARY TO MOLEX INCORPORATED AND SHOULD NOT BE USED WITHOUT WRITTEN PERMISSION		