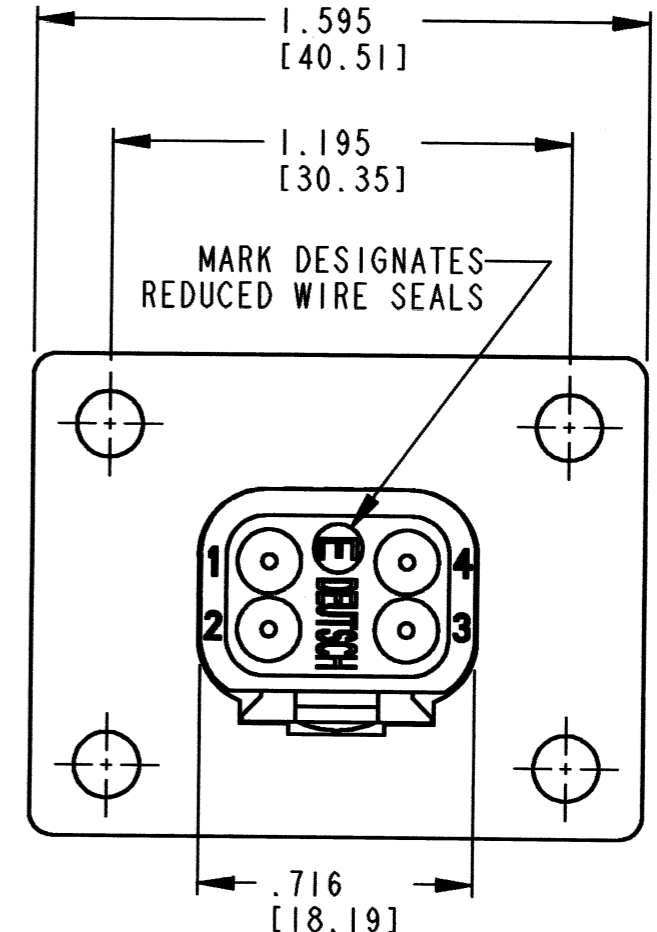
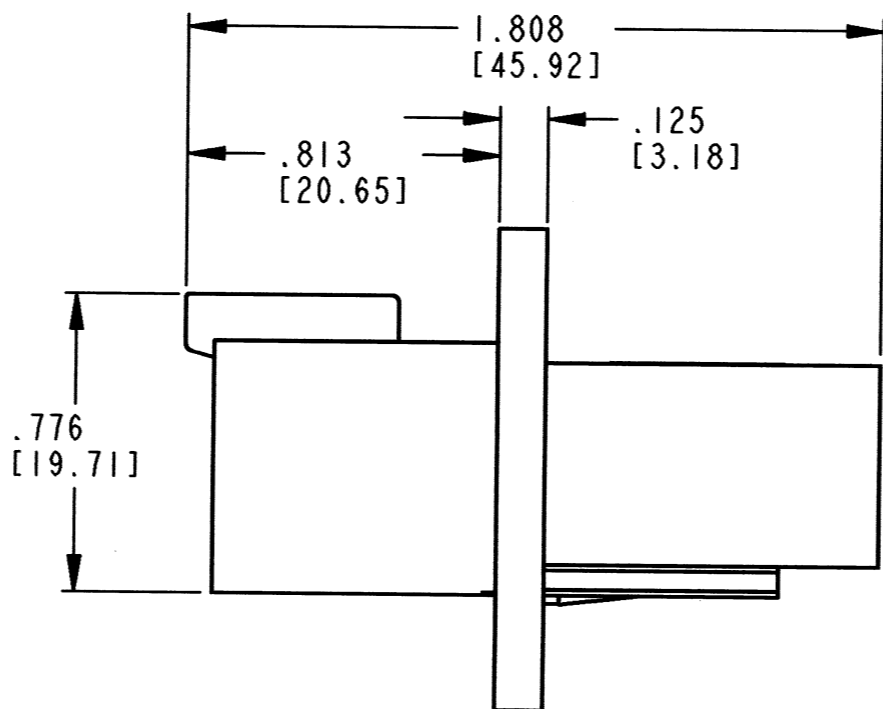
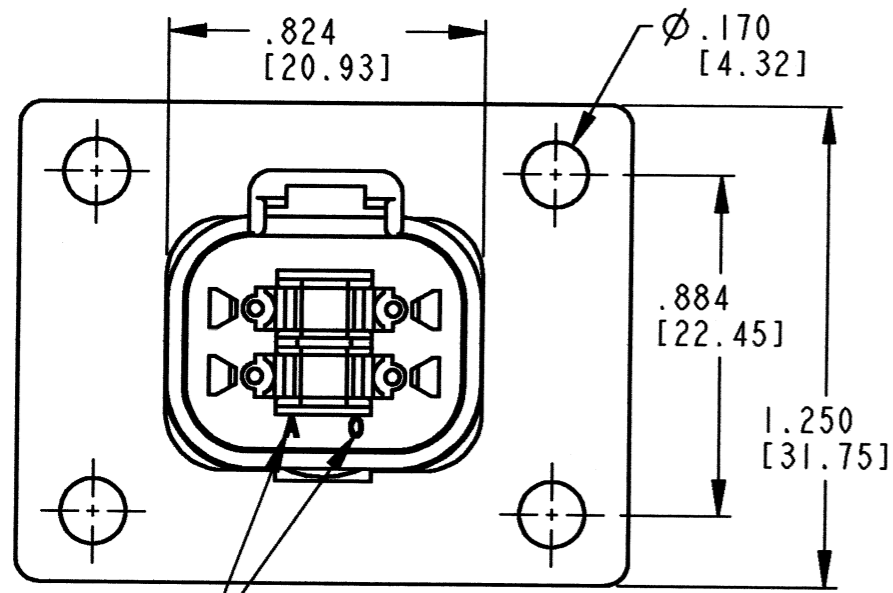


REV  
A DT04-4P-CL03

REVISIONS			
SYM	DESCRIPTION	DATE	APPROVED
NC	NEW RELEASE PER E.O. P19525	5/17/07	R.D.R.
A	REVISED PER E.O. P20483	5-28-10	AdP



DATE CODE:  
MONTH IS REPRESENTED BY SEQUENTIAL ALPHA CHARACTERS. EX: A = JANUARY  
YEAR IS REPRESENTED BY LAST NUMERIC DIGIT. EX: 0 = 2010

CONTACT SIZE	MIN. INSUL O.D.	MAX. INSUL O.D.	WIRE RANGE [mm <sup>2</sup> ]
16	.053 [1.35]	.120 [3.05]	14-20 AWG [2.0-0.5]

- 5. SHELL MATERIAL: PLASTIC; COLOR: GREY  
SEAL MATERIAL: RUBBER
- 4. THIS RECEPTACLE MATES WITH THE DT06-4S-\*\*\*\* PLUG  
(\*\*\*\* = ALL MODIFICATIONS). CONSULT FACTORY FOR MODIFICATIONS.
- 3. FOR CONTACTS AND WIRE PERFORMANCE AND APPLICATION CHARACTERISTICS  
SEE ENVELOPE DRAWING 0425-015-0000 AND 0425-017-0000.
- 2. DIMENSIONS ARE ±.025[0.63] UNLESS OTHERWISE SPECIFIED.

NOTES: 1. DIMENSIONS ARE IN INCHES [MILLIMETERS].

SIGNATURE & DATE	
DR	A. MALAGON 20APR07
CHK	<i>[Signature]</i> 5/27/10
PE	<i>[Signature]</i> 5/10/10
APPD	<i>[Signature]</i> 5-26-10
SCALE	NONE WT

4 WAY RECEPTACLE  
REDUCED WIRE SEALS  
& FLANGE MOUNT  
-CL03 MOD.  
DT SERIES

ENVELOPE

EP	MATL. CODE
3850 INDUSTRIAL AVE. HEMET, CA 92545	
<b>B DT04-4P-CL03</b>	
DWG SIZE	CODE SHEET   OF