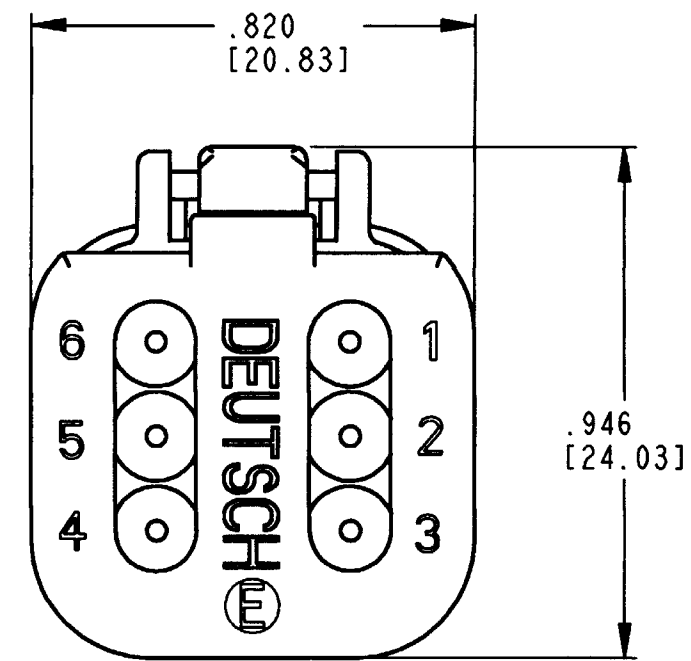
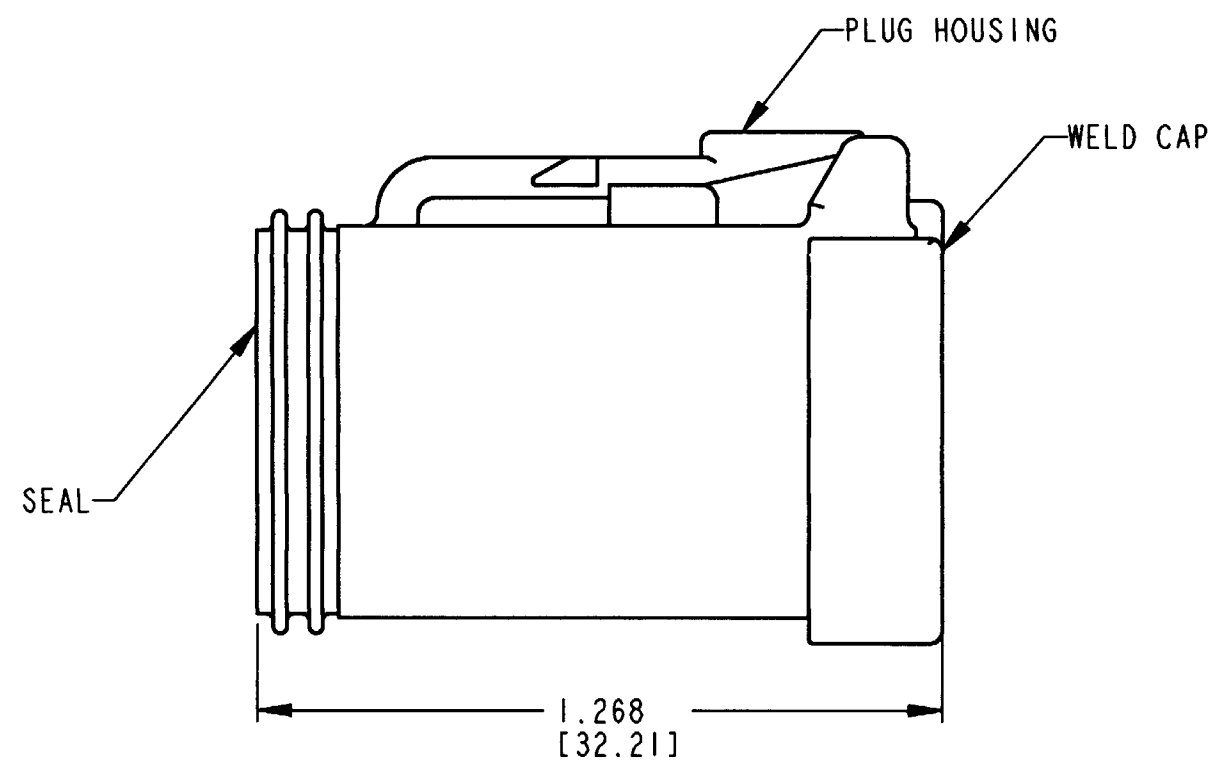
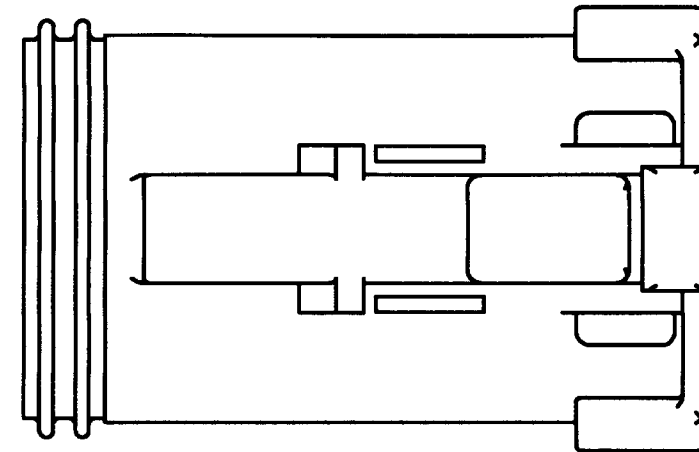
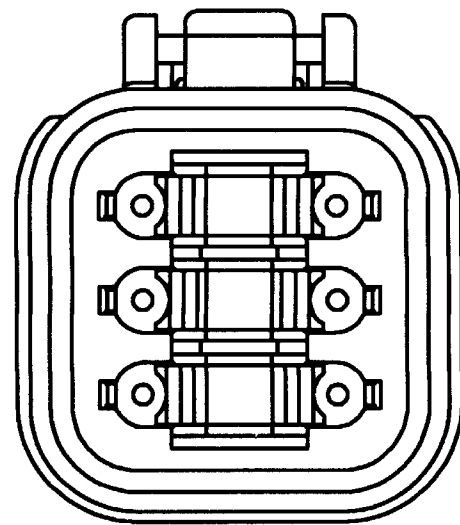


3 DIMENSIONAL VIEW



REV NC DT06-6S-CE01

REVISIONS			
SYM	DESCRIPTION	DATE	APPROVED
NC	NEW RELEASE PER E.O. PI6487	1/18/00	<i>[Signature]</i>

- NOTES:
1. DIMENSIONS ARE IN INCHES [MILLIMETERS].
 2. DIMENSIONS ARE $\pm .025$ [0.63] UNLESS OTHERWISE SPECIFIED.
 3. FOR CONTACTS AND WIRE PERFORMANCE AND APPLICATION CHARACTERISTICS SEE ENVELOPE DRAWING 0425-015-0000 AND 0425-017-0000.
 4. THIS PLUG MATES WITH DT04-6P-**** RECEPTACLE (**** = ALL MODIFICATIONS). CONSULT FACTORY FOR MODIFICATIONS.

SIGNATURE & DATE	
DR	S. THEIS 1/10/00
CHK	<i>[Signature]</i> 1/12/00
PE	<i>[Signature]</i> 1-17-00
APPD	<i>[Signature]</i> 1/18/00
SCALE	NONE
WT	

6 WAY PLUG
W/ CAP & REDUCED
WIRE SEALS
COLOR: GRAY
DT SERIES

ENVELOPE

CP	MATL. CODE
The Deutsch Company DEUTSCH I.P.D. 3850 INDUSTRIAL AVE. HEMET, CALIF. 92545	
B DT06-6S-CE01	
DWG SIZE	CODE 11139 SHEET OF