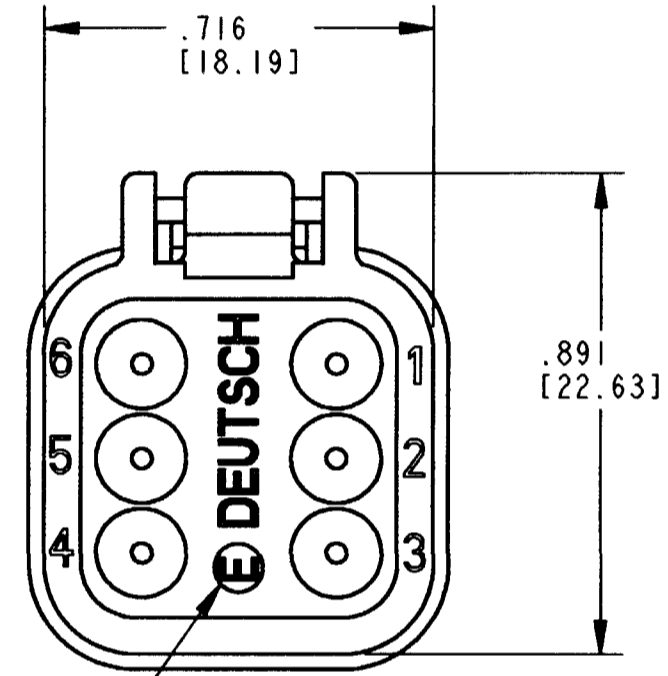
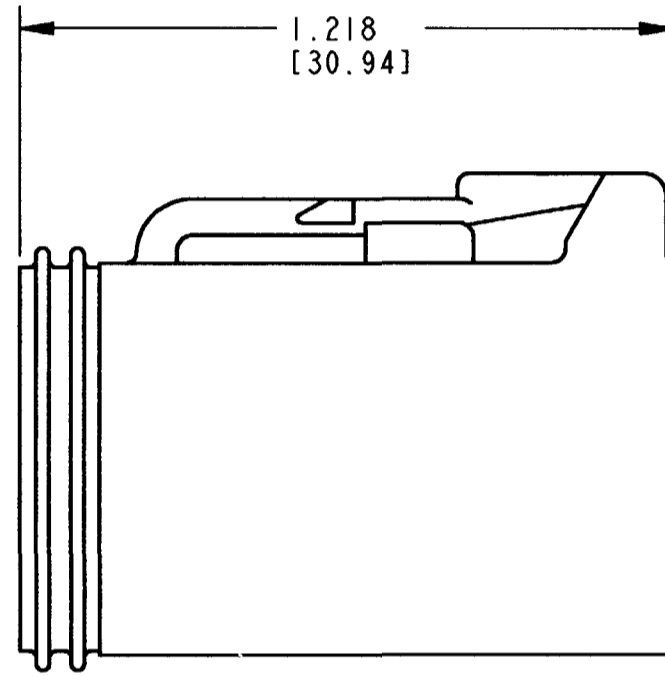
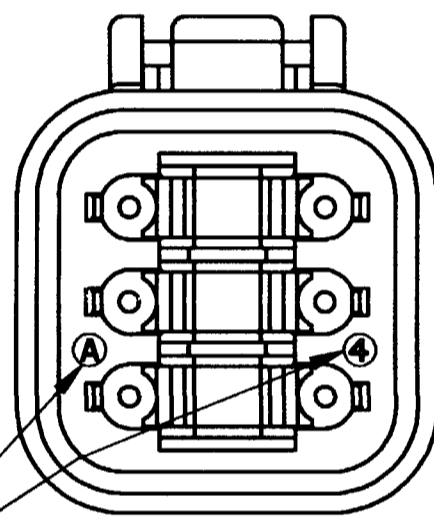


REV  
NC DT06-6S-CE02

REVISIONS			
SYM	DESCRIPTION	DATE	APPROVED
NC	NEW RELEASE PER E.O. PI8737	11-12-04	RDR



DATE CODE: YEAR TO BE REPRESENTED BY LAST NUMERICAL DIGIT. EX: 4 = 2004. MONTH USES SEQUENTIAL ALPHA CHARACTERS. EX: A = JANUARY.

-E- SYMBOL DESIGNATES REDUCED WIRE SEAL

CONTACT SIZE	MIN. INSUL. O.D.	MAX. INSUL. O.D.	WIRE RANGE [mm <sup>2</sup> ] REF ONLY <sup>3</sup>
16	.053 [1.35]	.120 [3.05]	14-20 AWG [2.0-0.5]

5. SHELL MATERIAL: PLASTIC  
SEAL MATERIAL: RUBBER

4. THIS PLUG MATES WITH DT06-6P-\*\*\*\* (\*\*\*\* = ALL MODIFICATION) CONSULT FACTORY FOR MODIFICATIONS.

<sup>3</sup> FOR CONTACTS AND WIRE PERFORMANCE AND APPLICATION CHARACTERISTICS. SEE ENVELOPE DRAWING 0425-015-0000 AND 0425-017-0000.

2. ALL DIMENSIONS ARE ±.025 [0.64] UNLESS OTHERWISE SPECIFIED.

NOTES: 1. ALL DIMENSIONS ARE IN INCHES [MILLIMETERS].

SIGNATURE & DATE	
DR	X. SANCHEZ 05NOV04
CHK	R. MORGAN 11/12/04
PE	John Glom 11/16/04
APPD	S. Beard 11-10-04
SCALE	NONE
WT	

6 WAY PLUG WITH  
REDUCED WIRE SEAL  
-CE02 MOD.  
COLOR: BLACK  
D.T. SERIES

ENVELOPE

CP	MATL. CODE
<b>The Deutsch Company</b> DEUTSCH I.P.D. 3850 INDUSTRIAL AVE. HEMET, CALIF. 92545	
<b>B</b> DT06-6S-CE02	
DWG SIZE	CODE 11139 SHEET   OF