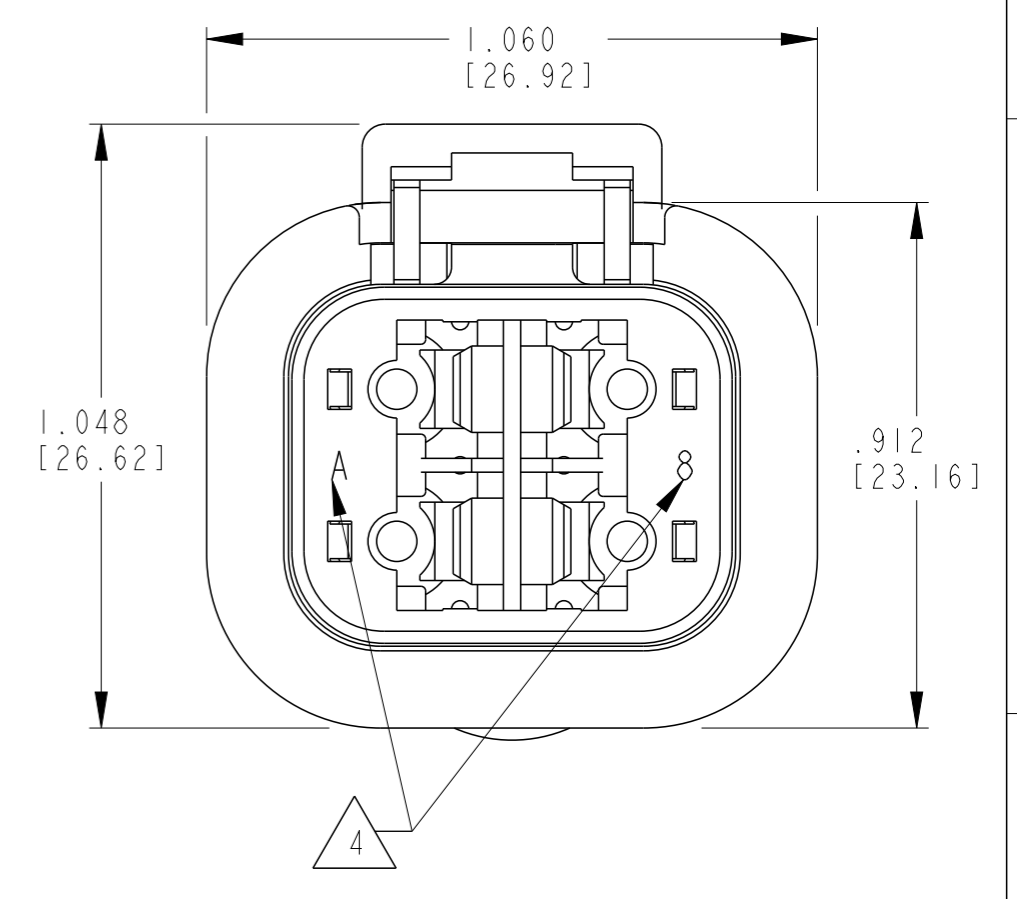
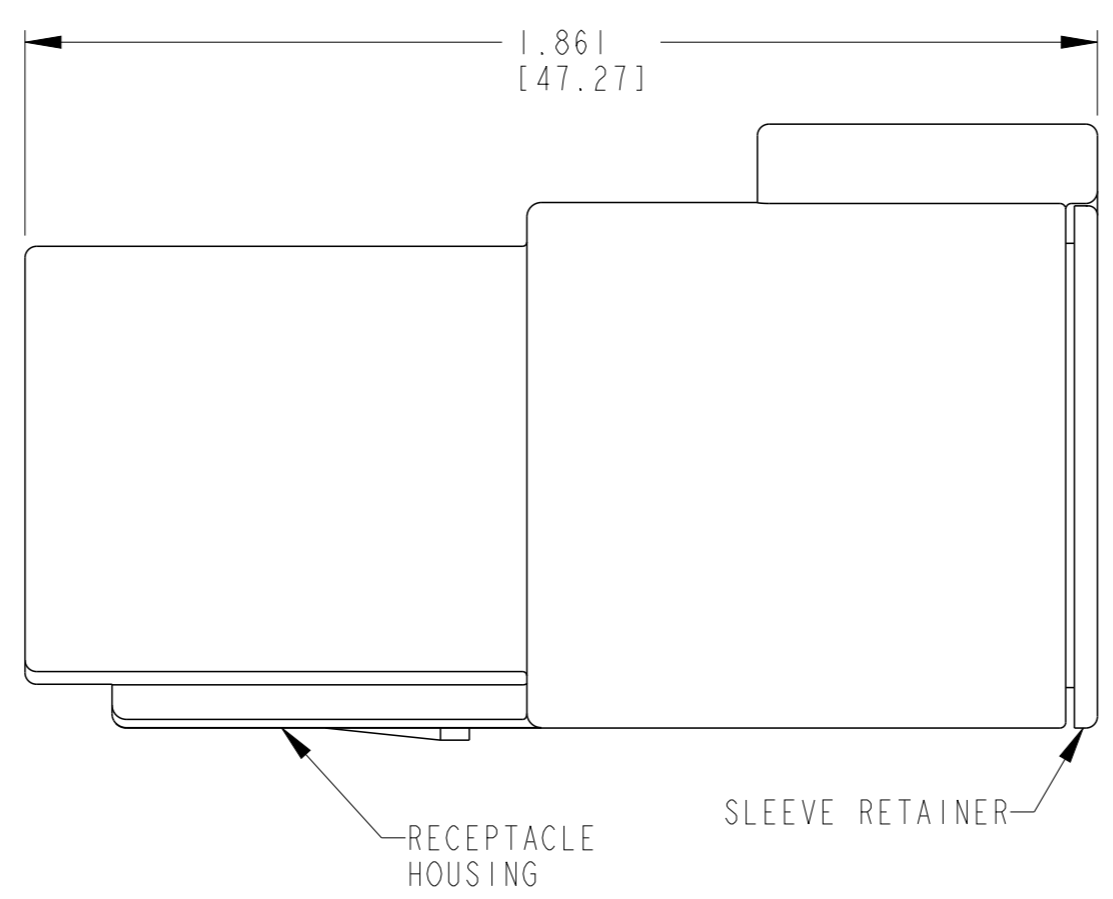
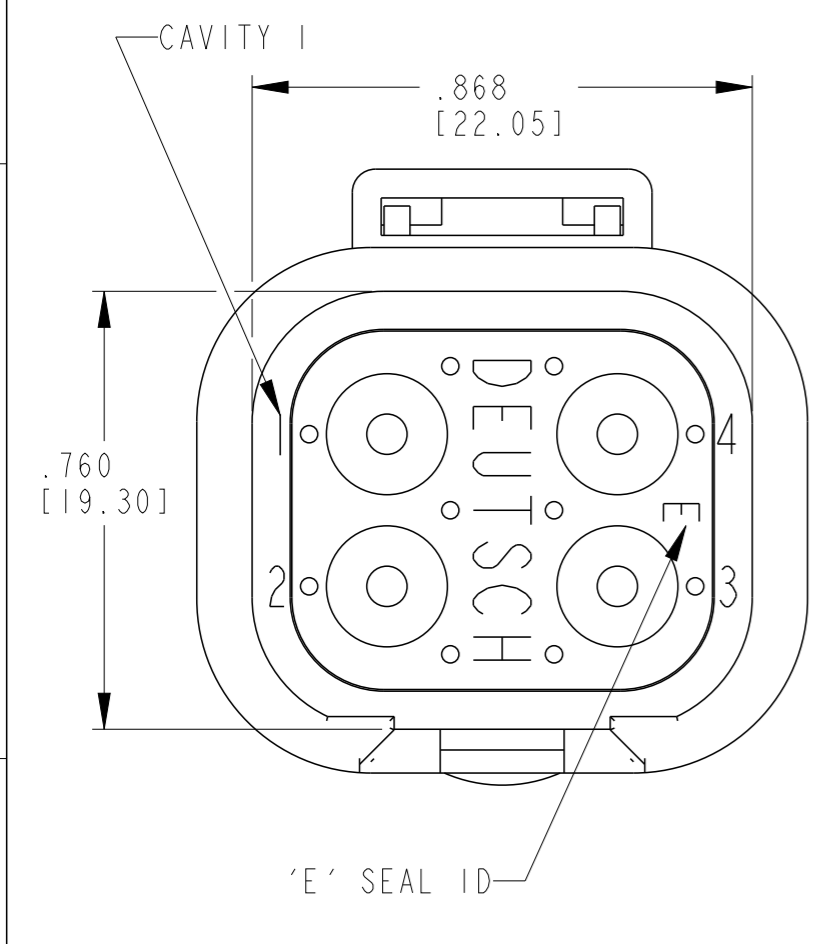
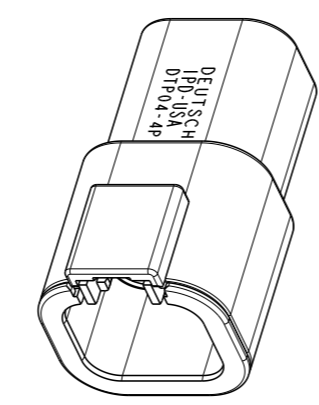


THIS DRAWING IS UNPUBLISHED
 RELEASED FOR PUBLICATION 2015
 © COPYRIGHT 2015 BY - TE CONNECTIVITY ALL RIGHTS RESERVED.

LOC	DIST	REVISIONS			
P	LTR	DESCRIPTION	DATE	DWN	APVD
-	-	NC	NEW RELEASE PER E.O. PI5534	29JAN1998	- RDR
		A	REVISED PER E.O. PI5555	20FEB1998	- RDR
		B	REVISED PER E.O. PI8081	07APR2003	- RDR
		C	REVISED PER ECO-15-003592	06APRR2015	VNB DM



- 4. DATE CODE: MONTH IS REPRESENTED BY SEQUENTIAL ALPHA CHARACTERS. EX: A=JANUARY. YEAR IS REPRESENTED BY THE LAST DIGIT. EX: 8=2008
 - 3. THE RECEPTACLE MATES WITH DTP06-4S-XXXX PLUG (XXXX = ALL MODIFICATIONS)
 - 2. MATERIAL:
 RECEPTACLE: PA66 GF15 (GREY)
 END CAP: PA66 GF15 (GREY)
 SEAL RETAINER: PA66 GF15 (GREY)
 INTERFACE SEAL: SILICONE, PHENYL FLUID LUBED (GREEN)
 - 1. SECONDARY WEDGE LOCK SOLD SEPARATELY: WP-4P-XXXX (XXXX = ALL MODIFICATIONS)
- NOTES: UNLESS OTHERWISE SPECIFIED



CONTACT SIZE	MIN. INSUL. O.D.	MAX INSUL. O.D.	TE INTERNAL PN	DEUTSCH PN
			DTP04-4P-C015	DTP04-4P-C015
12	.097 [2.46]	.158 [4.01]	WIRE RANGE 12-14 AWG [3.0-2.0 mm ²]	

THIS DRAWING IS A CONTROLLED DOCUMENT.		DWN D. MEYER 28JAN1998		
DIMENSIONS: INCHES [mm]		CHK X. SANCHEZ 04APR2003		
TOLERANCES UNLESS OTHERWISE SPECIFIED:		APVD R. REED 07APR2003	NAME RECEPTACLE 4 PIN 12 SIZE CONTACTS -C015 MOD, DTP SERIES	
0 PLC ±- 1 PLC ±- 2 PLC ±- 3 PLC ±0.015 [0.38] 4 PLC ±- ANGLES ±- FINISH -		PRODUCT SPEC -	SIZE A3	CAGE CODE 4AFU8
MATERIAL 2		APPLICATION SPEC -	DRAWING NO DTP04-4P-C015	RESTRICTED TO -
		WEIGHT 17.3g	SCALE 3:1	SHEET 1 OF 1 REV C
		Customer Drawing		