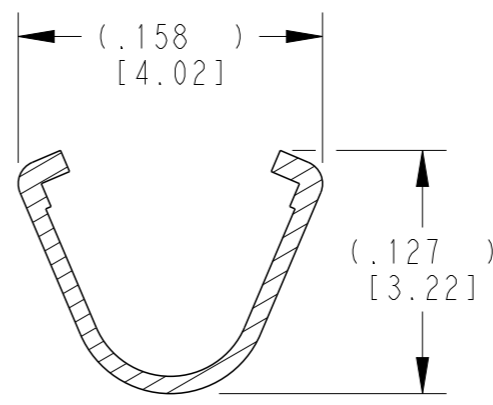
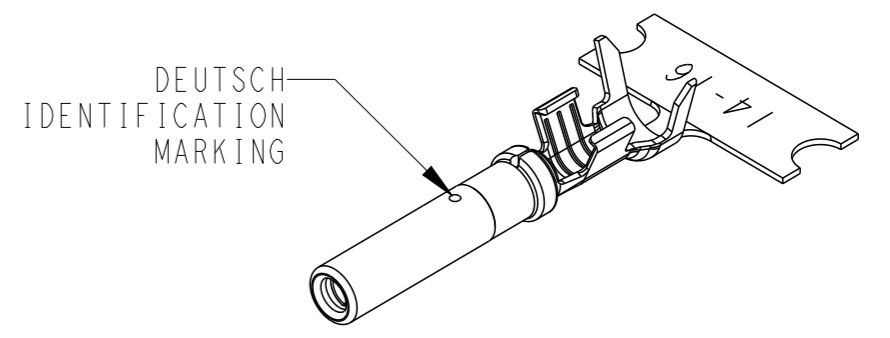
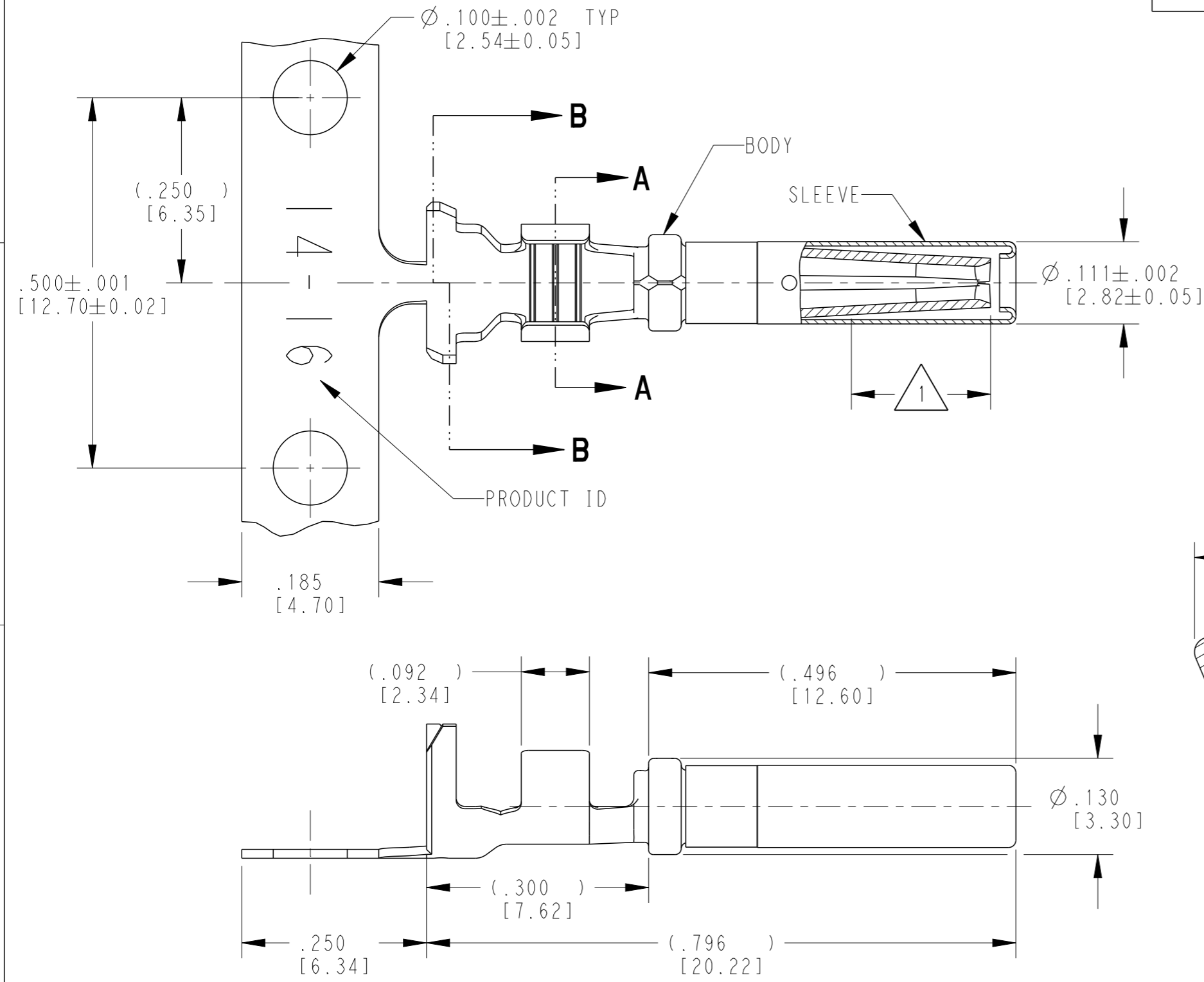
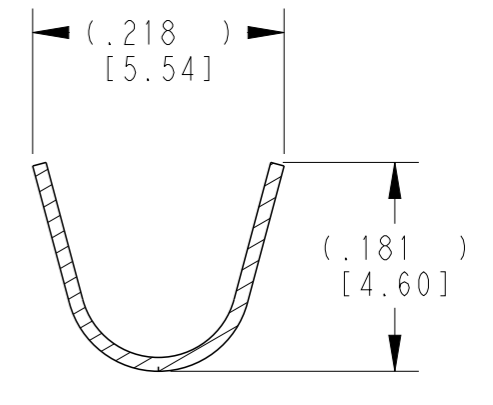


THIS DRAWING IS UNPUBLISHED
 RELEASED FOR PUBLICATION
 2015
 © COPYRIGHT 1999 BY TE CONNECTIVITY ALL RIGHTS RESERVED.

LOC	DIST	REVISIONS			
P	LTR	DESCRIPTION	DATE	DWN	APVD
	C	REVISED PER E.O. PI7000	08DEC2000	SP	RDR
	D	REVISED PER E.O. PI9555	11JUL2007	JA	RDR
	E	REVISED PER E.O. P20396	26JUN2010	JA	RDR
	F	REVISED PER ECO-15-007761	28MAY2015	RL	DM



SECTION A-A
WIRE BARREL



SECTION B-B
INSULATION BARREL

- 3 MATERIAL:
BODY: .012 [0.30] THICK COPPER ALLOY
SLEEVE: STAINLESS STEEL
- 2. WIRE RANGE: 18 AWG TO 14 AWG [0.75-2.0 mm²]
INSULATION RANGE: ϕ .095-.150 [ϕ 2.41-3.81]
- 1 APPLIES ONLY TO SELECTIVE GOLD 1062-14-0144.
INDICATED DIMENSION SHOWS GOLD PLATED AREA.

NOTES: UNLESS OTHERWISE SPECIFIED

THIS DRAWING IS A CONTROLLED DOCUMENT.		DWN M. BLUM	04NOV1999
DIMENSIONS: INCHES [mm]		CHK VLADIMIR TOMSA	04DEC2000
TOLERANCES UNLESS OTHERWISE SPECIFIED:		APVD R. REED	08DEC2000
0 PLC ±		PRODUCT SPEC	0425-015-0000
1 PLC ±		APPLICATION SPEC	114-151000
2 PLC ±		WEIGHT	0.44 g
3 PLC ±0.025 [0.64]		Customer Drawing	
4 PLC ±		SCALE 6:1	
ANGLES ±		SHEET 1 OF 1	
FINISH SEE TABLE		REV F	

TE INTERNAL PN	DEUTSCH PN	PLATING
1062-14-0122	1062-14-0122	NICKEL
1062-14-0144	1062-14-0144	SELECTIVE GOLD
1062-14-0177	1062-14-0177	TIN

TE TE Connectivity

NAME: SOCKET, STAMPED AND FORMED
SIZE 16
14-18AWG

SIZE	CAGE CODE	DRAWING NO	RESTRICTED TO
A3	4AFU8	©=1062-14-01XX	-