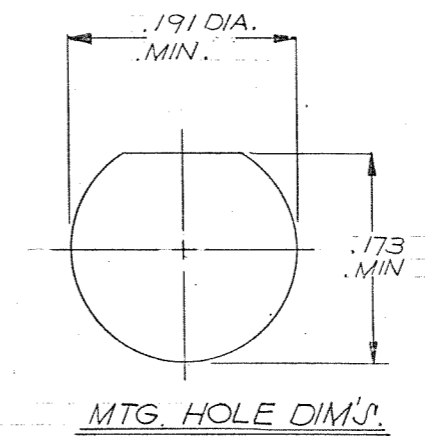
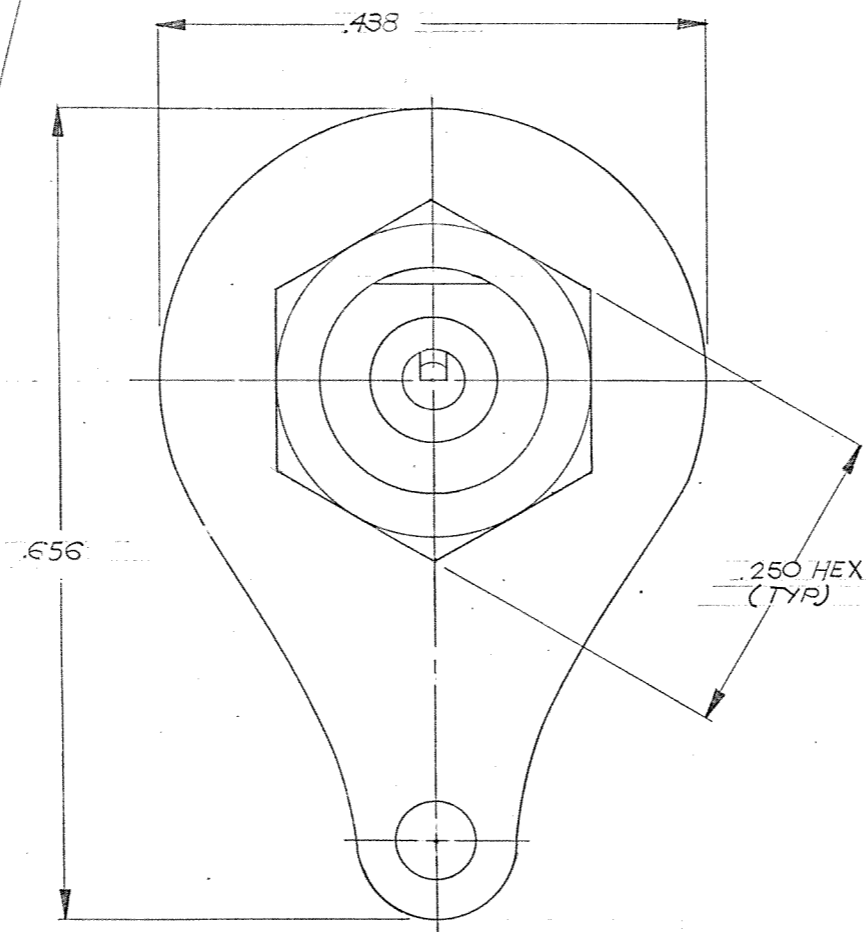
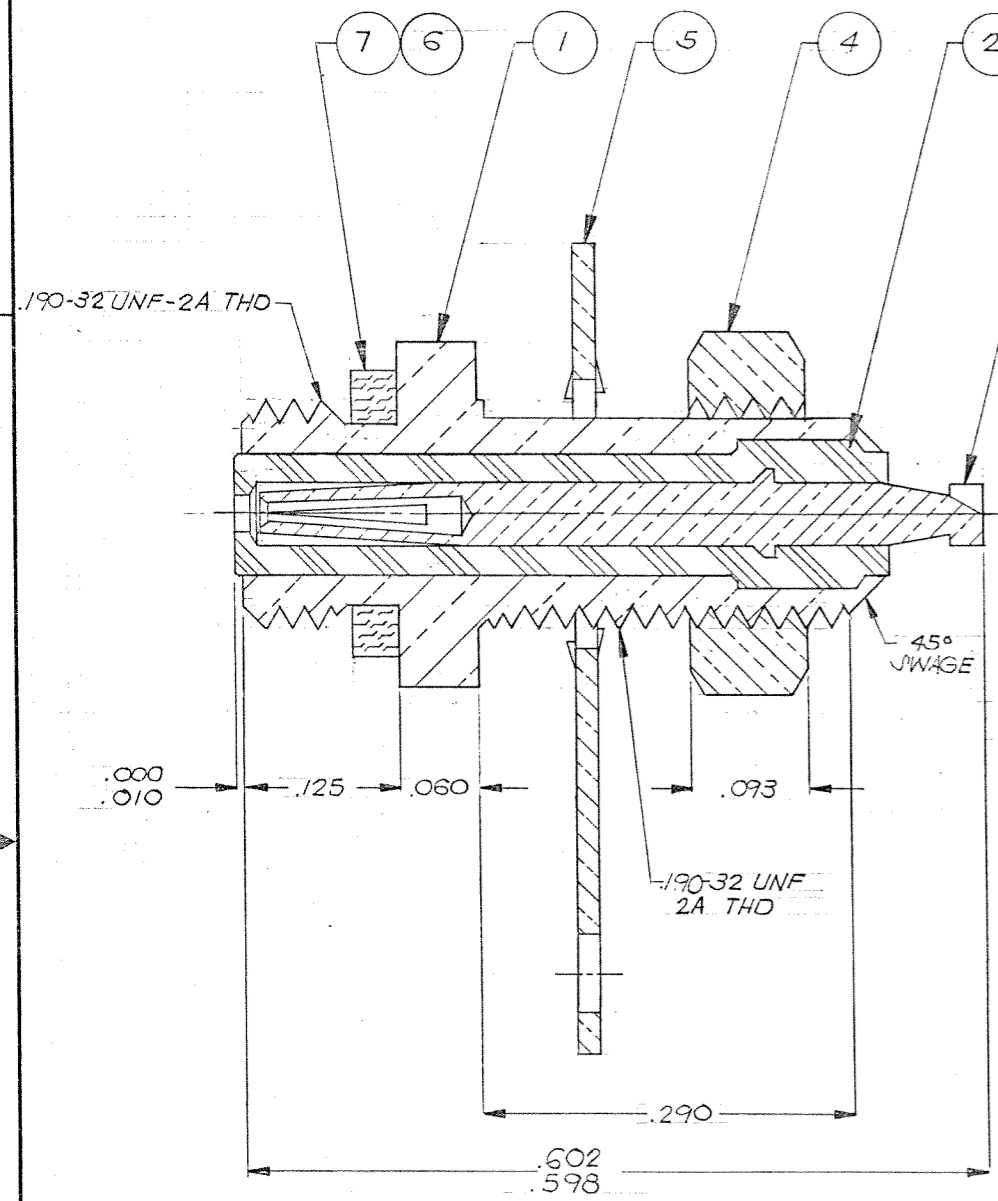


REVISIONS					
ZONE	LTR	ECN	DESCRIPTION	DATE	APPROVED
	P	28902	REVISED & REDRAWN ORIG. RELEASE BY B.T. 6-23-55	8/13/84	hy
	R	39342	UPDATE REV. LETTER	9/12/84	hy

R1 LOAD CORRECT DRAWING



TYCO CUSTOMER DWG 1466288

NOTES: UNLESS OTHERWISE SPECIFIED:

- 1. THIS CONN. MATES WITH ALL PLUGS IN SERIES J-50 AS LISTED IN MICRODOT CATALOG.
- 2. SILVER PLATE .0002" MIN. PER QQ-S-365 TYPE II, GRADE A.
- 3. GOLD PLATE PER MIL-G-45204 TYPE II, GRADE C, CLASS I.
- 4. WORKING VOLTAGE - 750 V.R.M.S.
- 5. INSULATION RESISTANCE - 5×10^9 OHMS MIN.
- 6. PANEL THICKNESS: .160 MAX.

QTY	UNIT	PART NUMBER	DESCRIPTIONS	MAT'L & SPECIFICATIONS	ITEM NO.	
1		003-0268-0001	GASKET	SILICONE RUBBER PER ZZ-R-765, RED	7	
1		003-0268-0000	GASKET	SILICONE RUBBER PER ZZ-R-765, BLK	6	
1		003-0306-0001	SHAKEPROOF LUG	# 425 BRONZE ALLOY	5	
1		003-0009-0001	HEX NUT	BRASS PER QQ-B-626	4	
1		003-1315-0002	SOCKET CONTACT	BERYLLIUM COPPER QQ-C-530	3	
1		003-1316-0001	INSULATOR	TELFON PER L-P-403	2	
1		003-1317-0001	HOUSING	BRASS PER QQ-B-626	1	
2	1		PART NUMBERS	DESCRIPTIONS	MAT'L & SPECIFICATIONS	ITEM NO.
*	No					

UNLESS OTHERWISE SPECIFIED DIMENSIONS ARE IN INCHES TOLERANCES ARE: FRACTIONS .XX ± .010 DECIMALS .XX ± .010 ANGLES ± 2°		CONTRACT NO.		MALCO A MICRODOT COMPANY, INC. 220 PASADENA AVE., SO. PASADENA, CALIF. 91030	
MATERIAL		APPROVALS	DATE	PROD. CODE	
NOTED		C. TIONGCO	7-27-84	731	
FINISH		CHECKED		CODE	
NOTED		PR. ENG. hy	8/9/84	COM	
NEXT ASSY		APPD.		SIZE	CODE IDENT NO.
USED ON				C	98278
APPLICATION		DRAWING NO.		031-0050-000*	
DO NOT SCALE DRAWING		SCALE		SHEET / OF /	