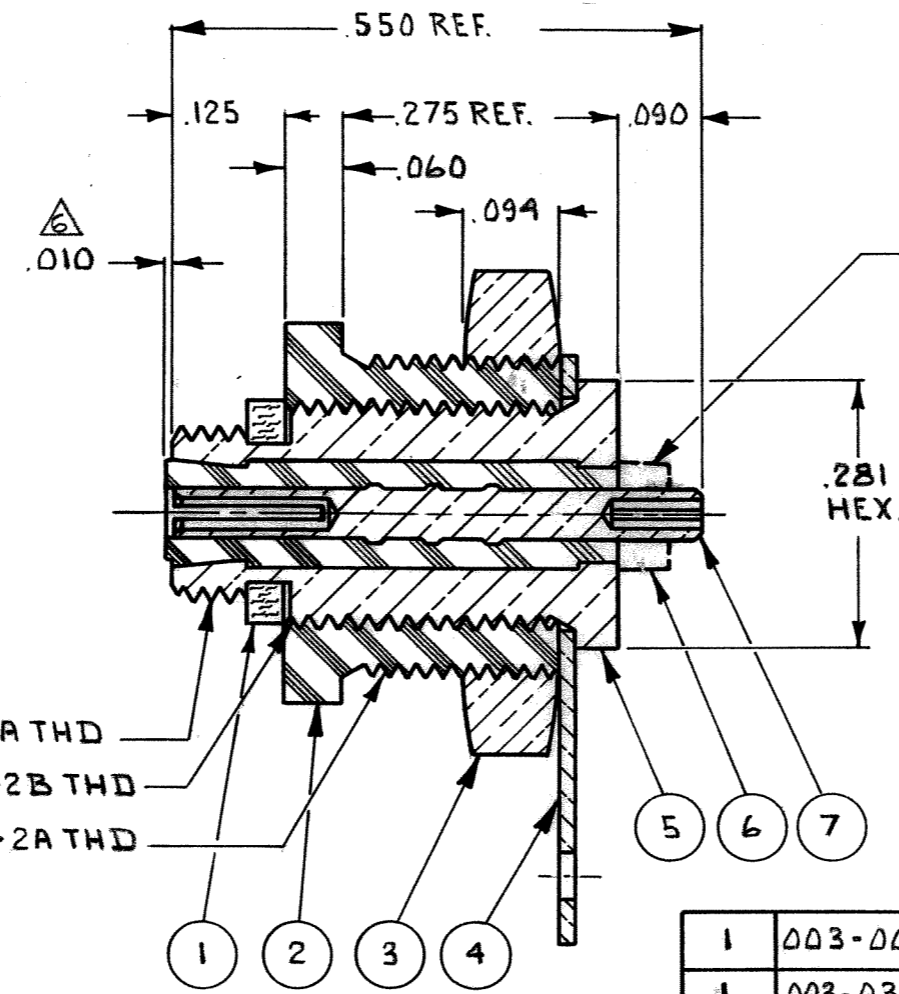
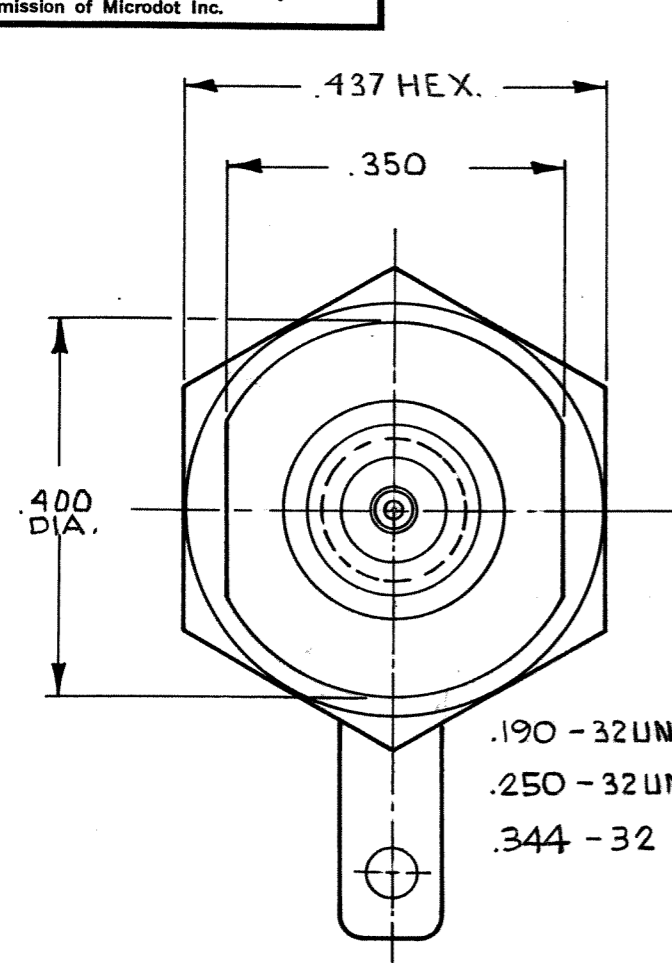


These drawings and specifications are the property of Microdot Inc., are issued in strict confidence and shall not be divulged, be reproduced or copied, or used as the basis for the manufacture or sale of any article without written permission of Microdot Inc.



TRIM INSULATOR .000 TO +.015

- .190 - 32 UNF - 2A THD
- .250 - 32 UNEF - 2B THD
- .344 - 32 NS - 2A THD

Tyco Dwg 1467939
Micro P/N 031-0024-0001

REQD	PART NO	NOMENCLATURE	MAT'L & SPEC.	FINISH	ITEM
1	003-0067-0002	SOCKET CONTACT	BeCu, QQ-C-530	3	7
1	003-0374-0001	INSULATOR	TEFLON PER L-P-403		6
1	003-0037-0001	HOUSING	BRASS PER QQ-B-626	2	5
1	003-0200-0001	LUG	BRASS PER QQ-B-613	2	4
1	003-0206-0001	NUT, HEX	BRASS PER QQ-B-626	2	3
1	003-0202-0001	INSULATOR	NYLON		2
1	003-0268-0001	GASKET	SILICONE, ZZ-R-76W		1

△ POSSIBLE SQUEEZE OUT OF TEFLON CAN CHANGE OVERALL DIM.

5 INSULATION RESISTANCE - 5.0×10^9 OHMS MIN.

4 WORKING VOLTAGE - 750 V.R.M.S.

△ GOLD PLATE PER MIL-G-45204, TYPE II, CL I, GRD C

△ SILVER PLATE .0002 MIN. PER QQ-S-365, TYPE II, GRADE A.

1 THIS CONNECTOR MATES WITH ALL PLUGS IN SERIES S-50 AS LISTED IN MALCO CATALOG.

NOTES: UNLESS OTHERWISE SPECIFIED

ASSEMBLY	NO REQ'D	LET	ECO	REVISION DESCRIPTION	BY	DATE	APP
		P		UPDATE REV. LETTER. 39532	FL	10/28/68	PS
		N	28052	UPDATE, SEE ECN	LM	5/17/69	MS
		M	9256	TRIM INSULATOR .000 TO +.015 WAS TRIM INSULATOR FLUSH	R.P.	11/10/69	UM
		L	7065	REV. # REPR.	G.K.	2/13/70	SL
					BY	DATE	APP

STANDARD TOLERANCES UNLESS OTHERWISE SPECIFIED
 DEC. ± .010
 FRAC. ±
 ANGLES ±
 ECCENTRICITY
 MAX. T.I.R. _____
 HOLE DIA. ± _____
 SURFACE ROUGHNESS _____ MICRO INCHES
 ✓ _____ MICRO INCHES
 THREADS TO MIL-S-7742
 COMMERCIAL TOLERANCES APPLY TO STOCK DIMENSIONS

MALCO
 A MICRODOT COMPANY, INC.
 220 PASADENA AVE., SO. PASADENA, CAL

SURFACE TREATMENT NOTED

MATERIAL NOTED

PROD. CODE 931

APP [Signature]

CHECKED BY [Signature]

DRAWN BY [Signature]

SCALE 5x

WT

DATE 7-1-35

BULKHEAD RECEPTACLE INSULATED

CODE CDM

DRAWING NUMBER 031-0024-0001 P