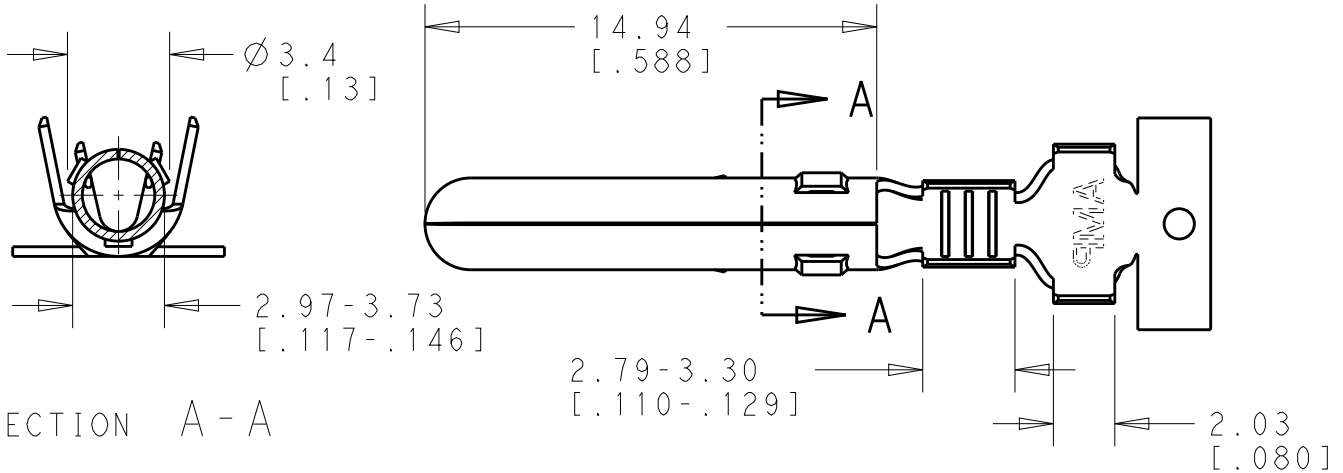
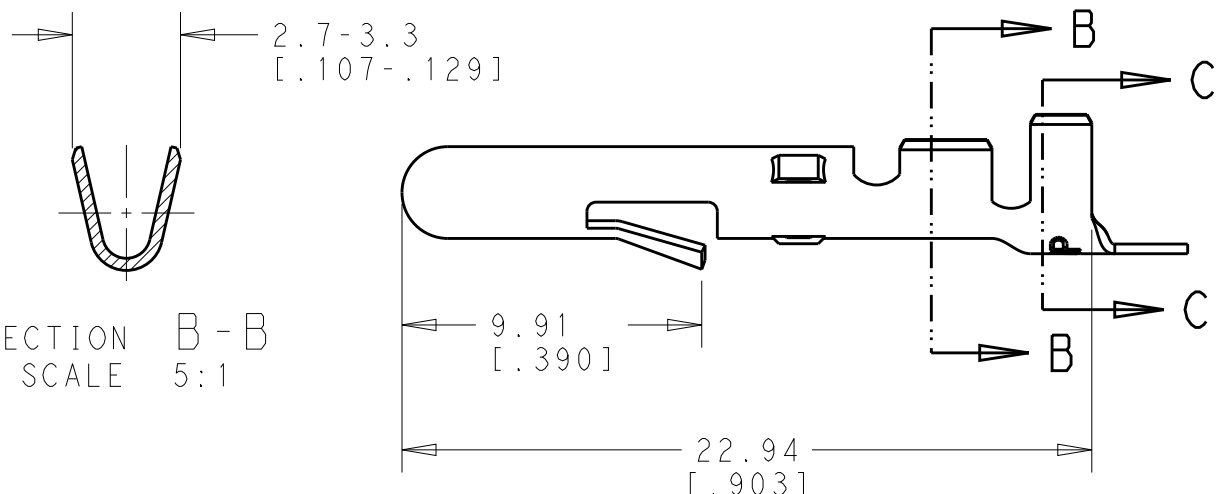


REVISIONS					
P	LTR	DESCRIPTION	DATE	DWN	APVD
	L1	REVISED PER ECR-18-015341	28SEP2018	BW	JB



SECTION A - A



SECTION B - B  
SCALE 5:1



SECTION C - C  
SCALE 5:1

PRE-TIN	BRASS	1-153210-1
PRE-TIN	PHOS. BRONZE	153210-5
ELECTRO-TIN	BRASS	153210-4
NONE	PHOS. BRONZE	153210-3
NONE	BRASS	153210-2
PRE-TIN	BRASS	153210-1
FINISH	MATERIAL	PART NUMBER

THIS DRAWING IS UNPUBLISHED. BY - TE CONNECTIVITY ALL RIGHTS RESERVED. COPYRIGHT 2018

DIMENSIONS: mm [INCHES]	DWN BASVESH WARAD 28SEP2018	MATERIAL -	FINISH -			
	CHK JYOTIRMAYA 28SEP2018					
TOLERANCES UNLESS OTHERWISE SPECIFIED: 0 PLC ±- 1 PLC ±- 2 PLC ±- 3 PLC ±- 4 PLC ±- ANGLES ±-	APVD DANIEL ZHANG 28SEP2018			NAME .118 [3] DIA LANCED PIN		
	PRODUCT SPEC 108-1000	SIZE A4	CAGE CODE 00779	DRAWING NO C-153210	RESTRICTED TO -	
	APPLICATION SPEC 114-1012	CUSTOMER DRAWING		SCALE 4:1	SHEET 1 OF 1	REV L1
	WEIGHT -					