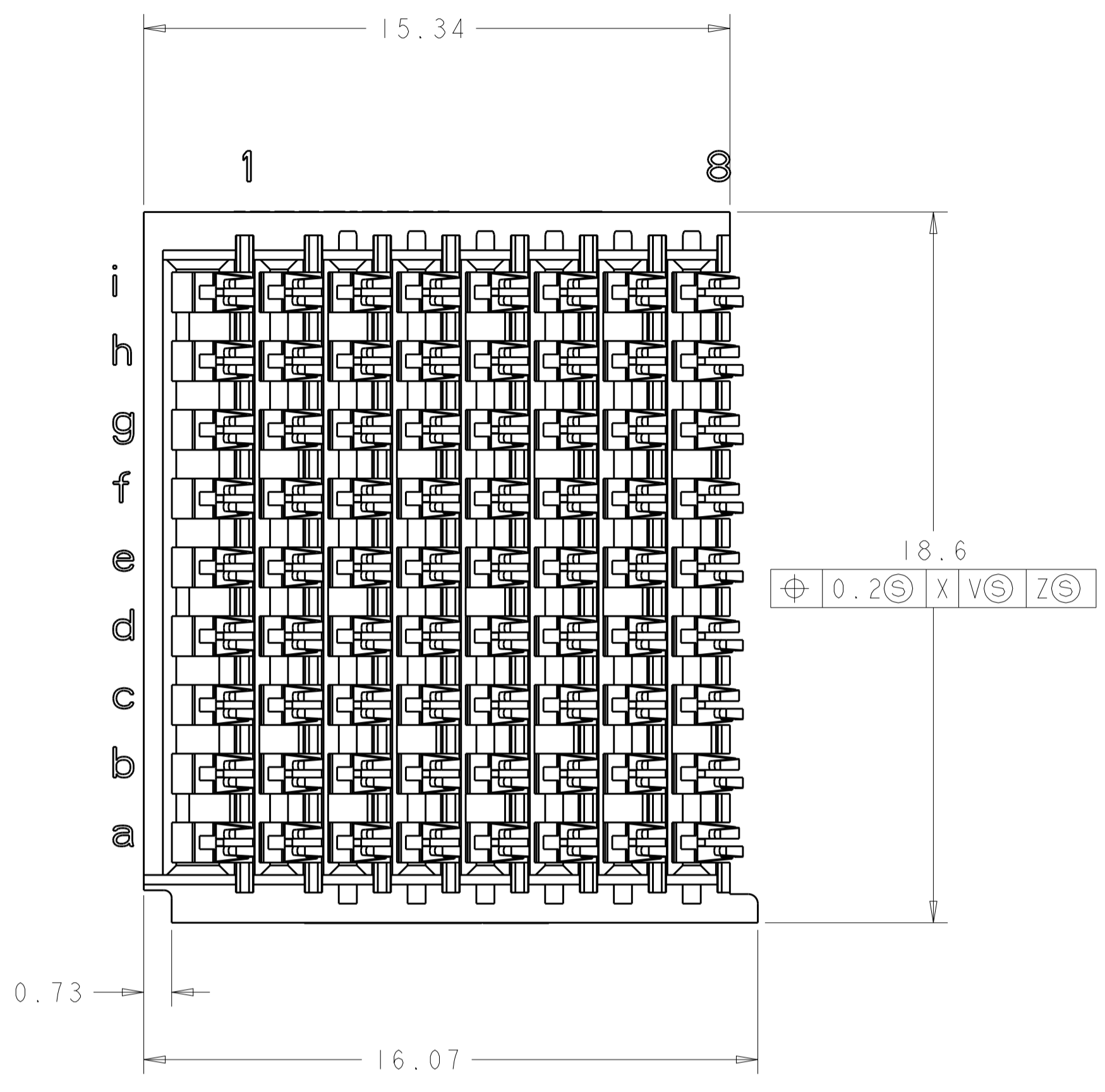
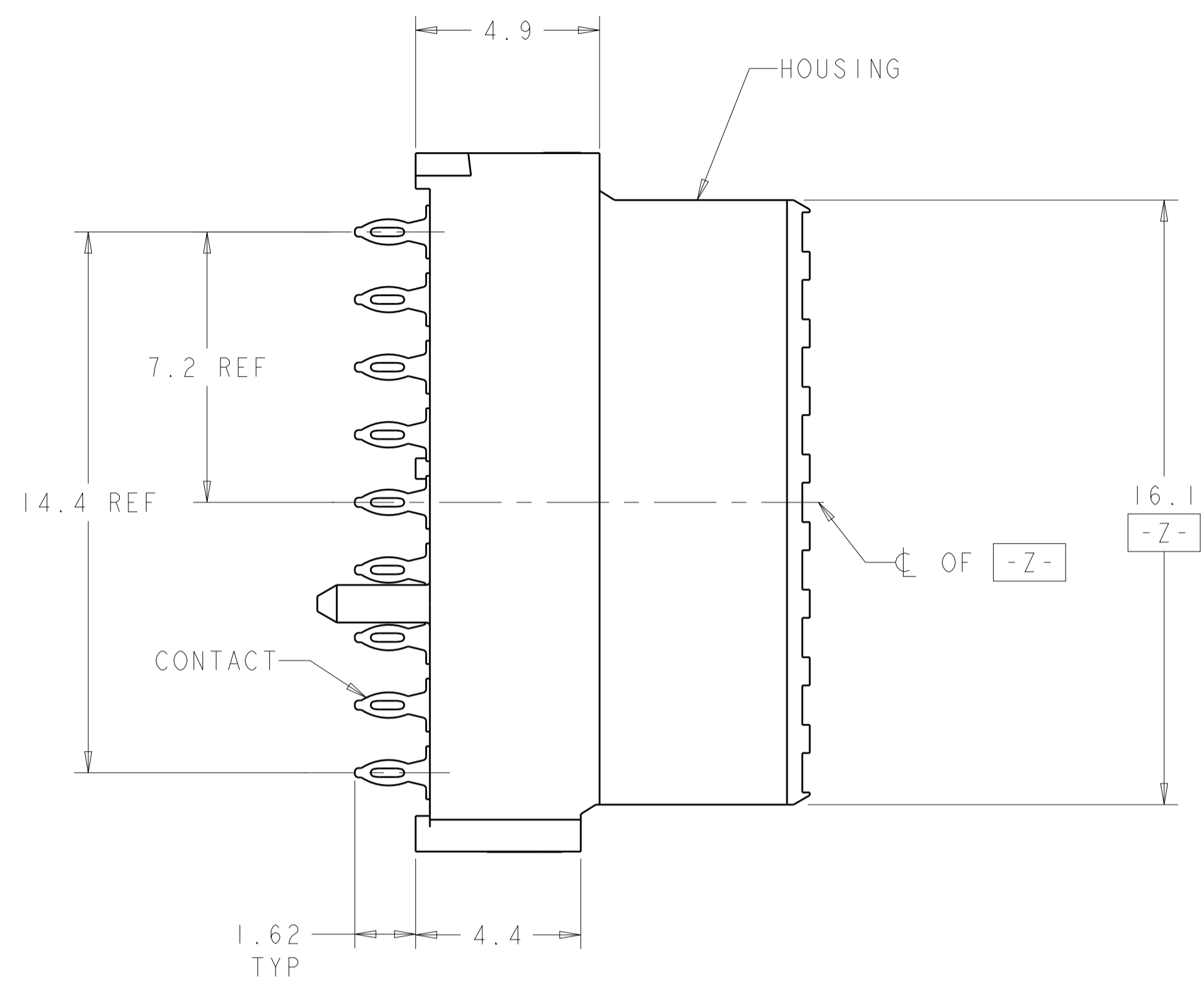
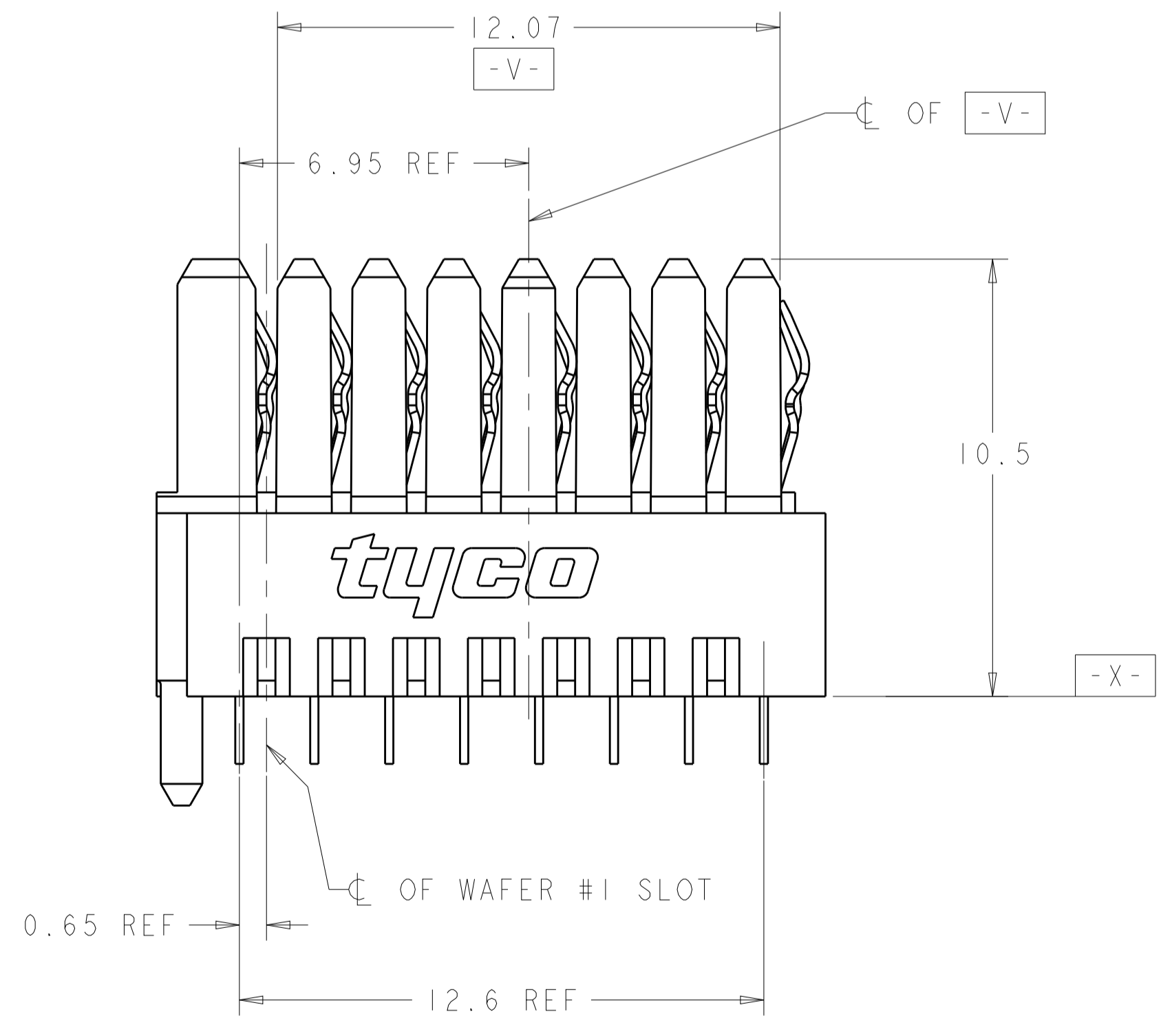
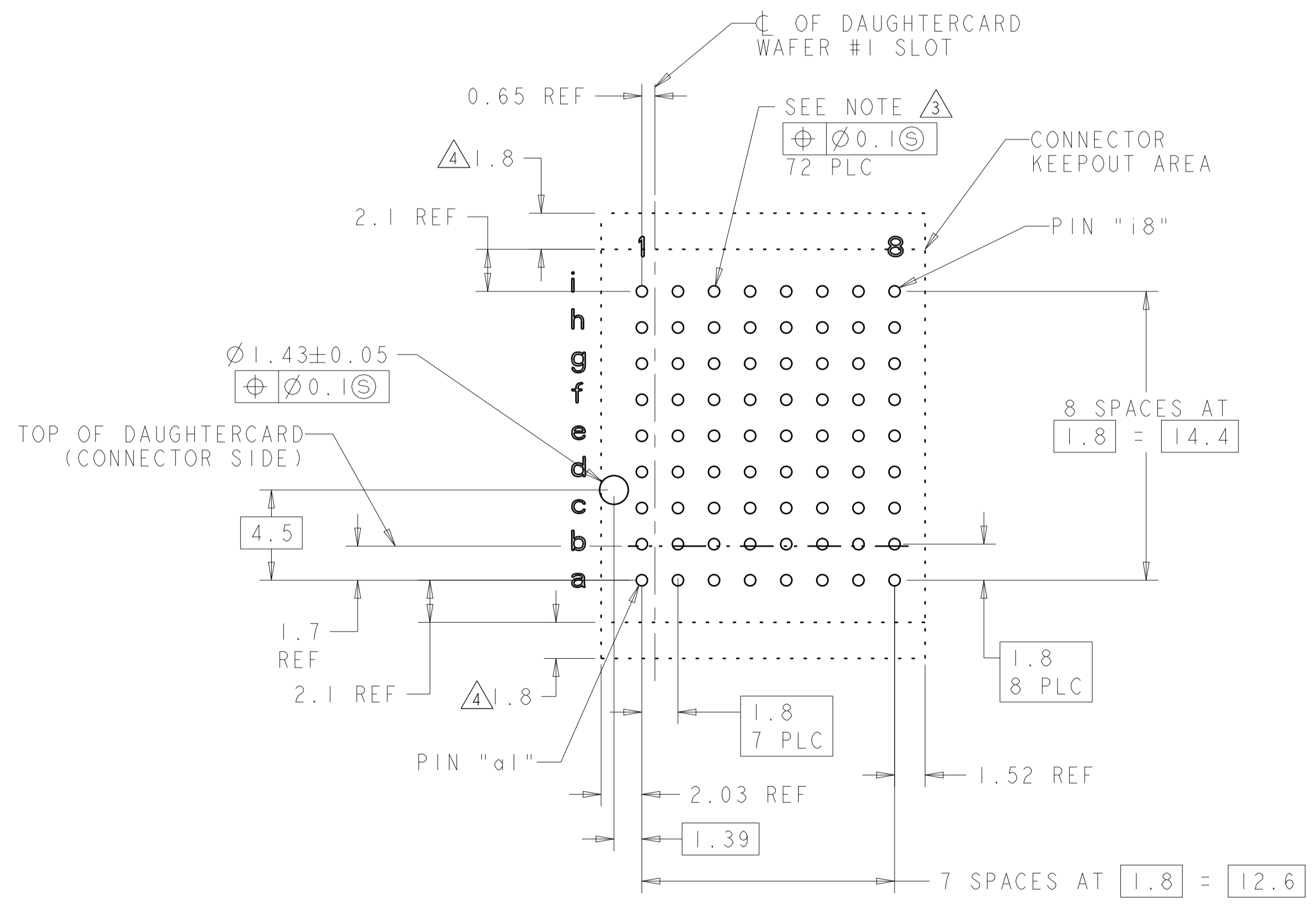


LOC		DIST		REVISIONS			
P	LTN	DESCRIPTION	DATE	DWN	APVD		
B		RELEASED PER ECO-13-004502	12MAR2013	KM	DH		
C		REVISED PER ECO-13-008265	20MAY2013	DB	DH		



- 1 HOUSING: LCP, UL94V0, COLOR: BLACK. CONTACT: PHOSPHOR BRONZE.
- 2 FINISH: 1.27µm GOLD IN CONTACT AREA 1.27µm MIN. TIN-LEAD ON PCB TAIL OVER 2.54µm MIN. NICKEL OVER ALL.
- 3 PLATED THROUGH HOLE PER 114-13056, FIGURE 4
- 4 ADDITIONAL CONNECTOR-SIDE KEEP-OUT AREA REQUIRED IF CONNECTOR-SIDE EXTRACTION TOOL IS TO BE USED.
- 5 FINISH: 1.27µm MIN GOLD IN CONTACT AREA, 0.50µm MIN TIN ON PCB TAIL OVER 2.54µm MIN. NICKEL OVER ALL.



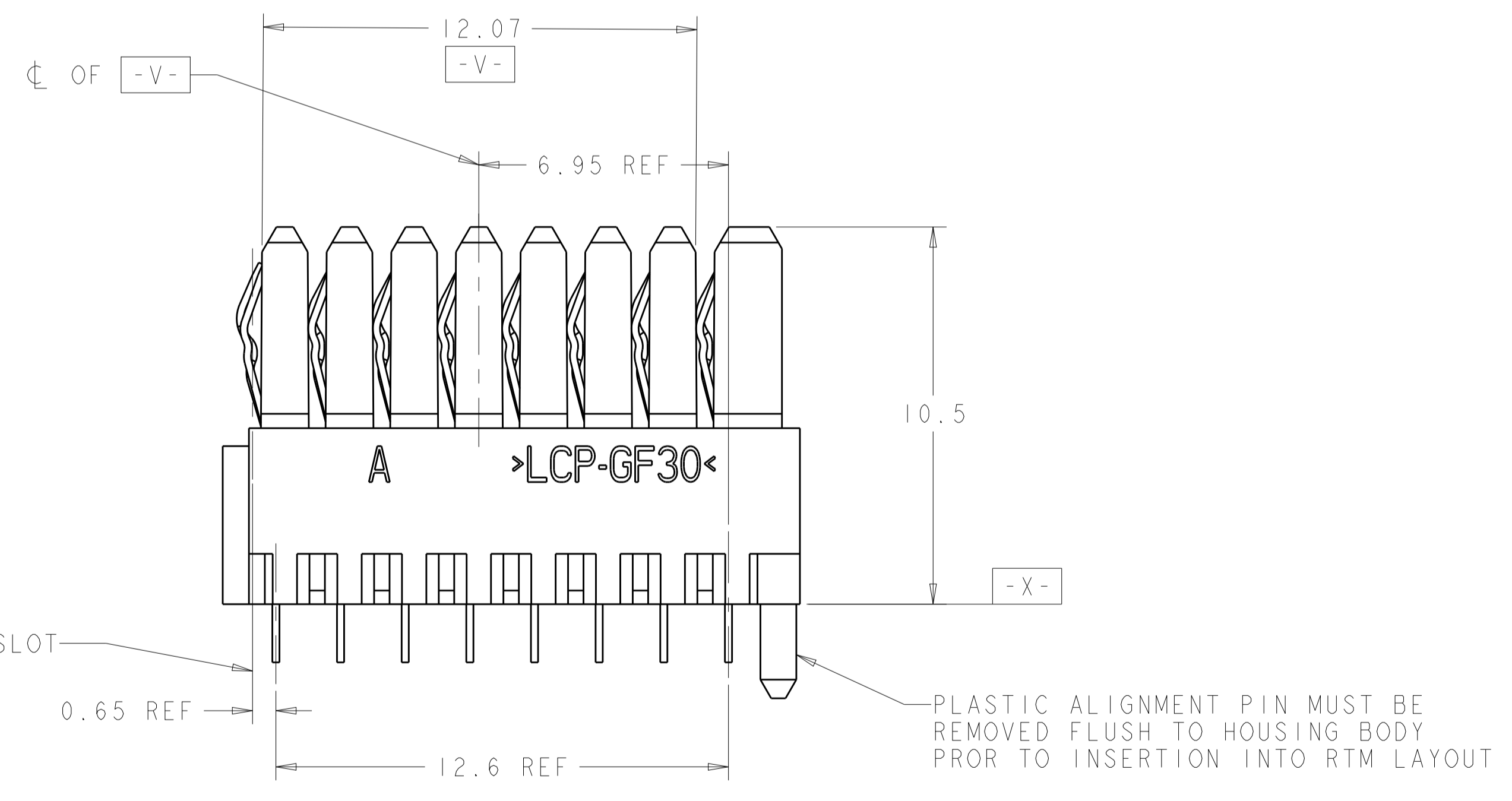
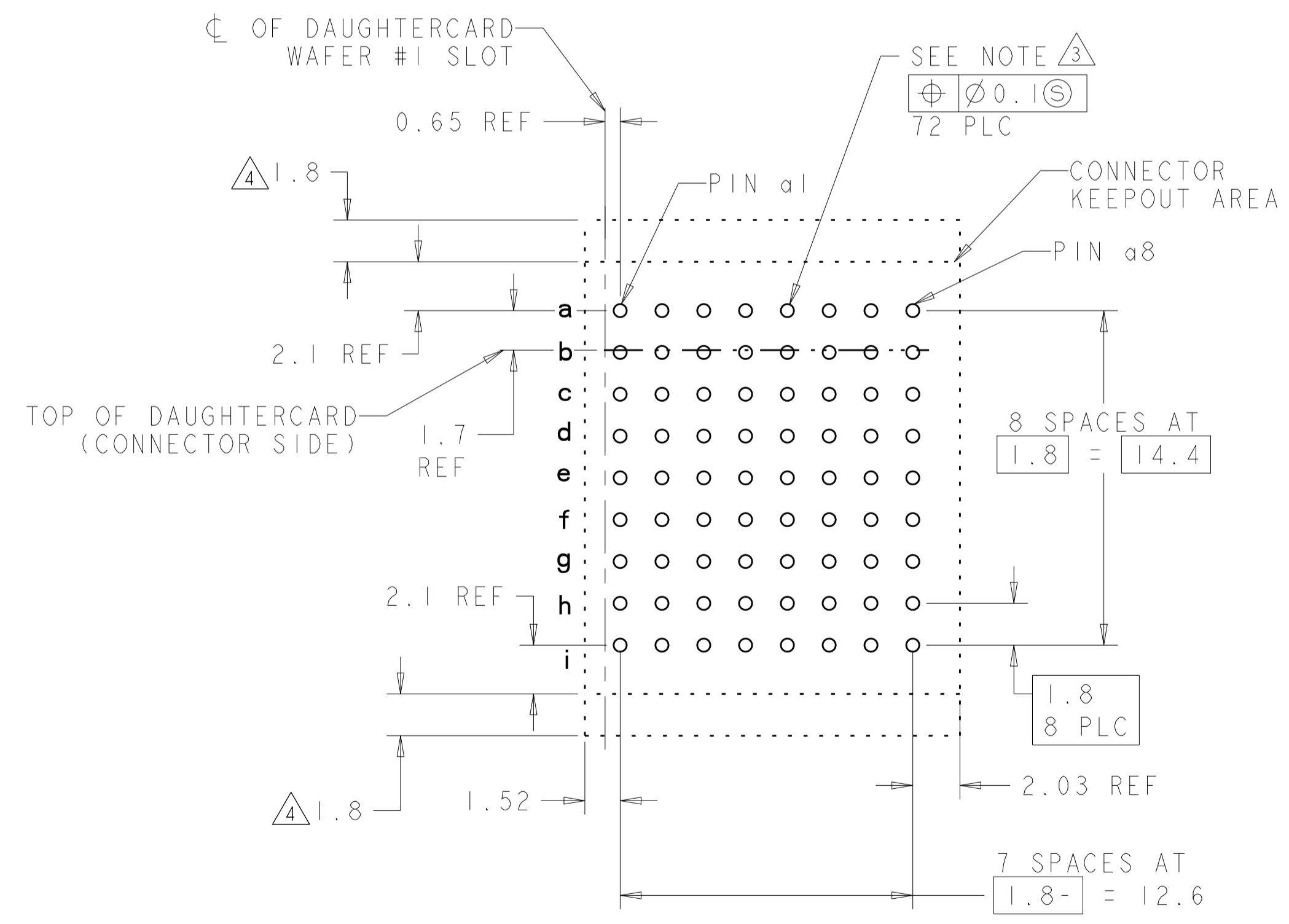
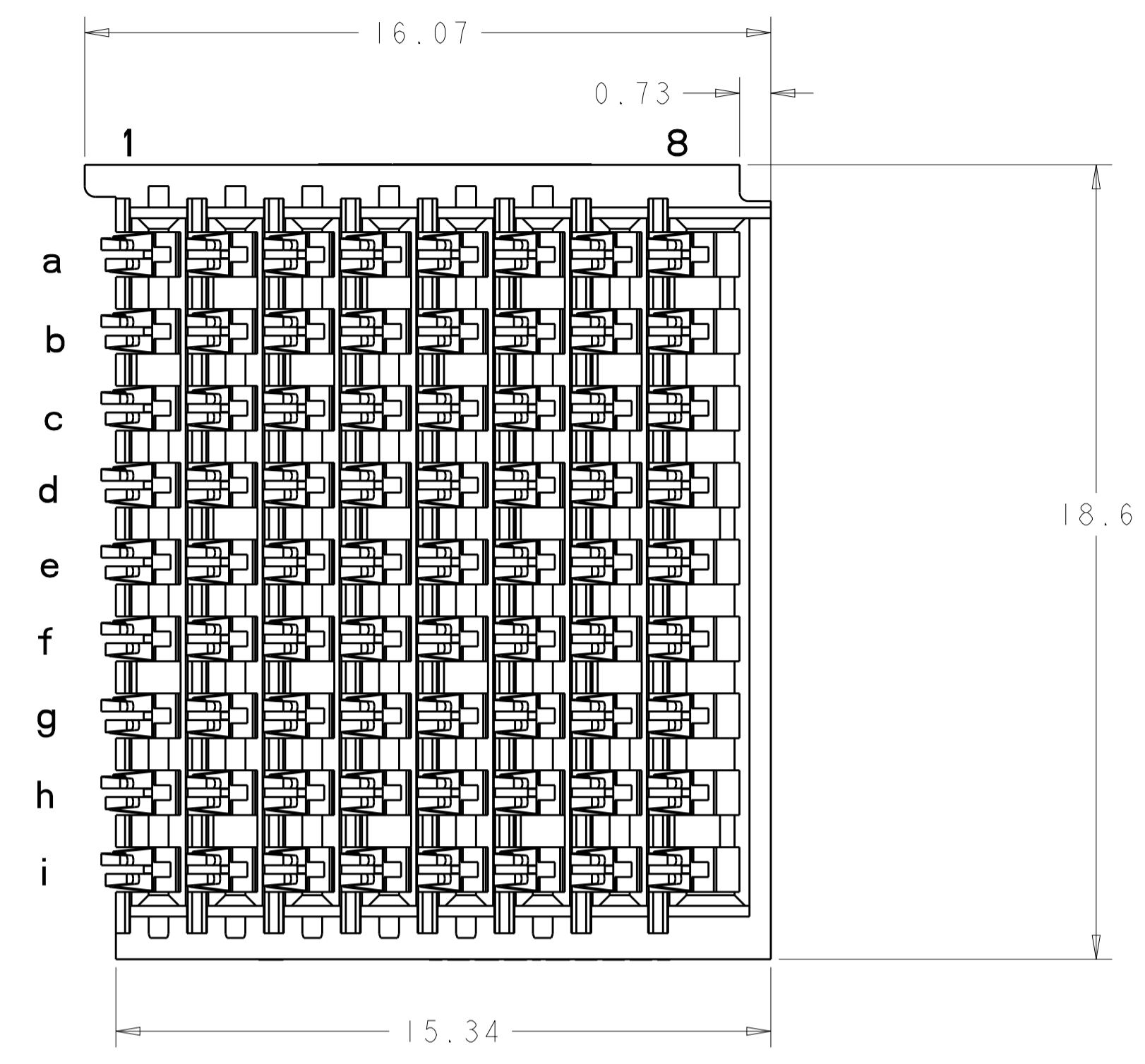
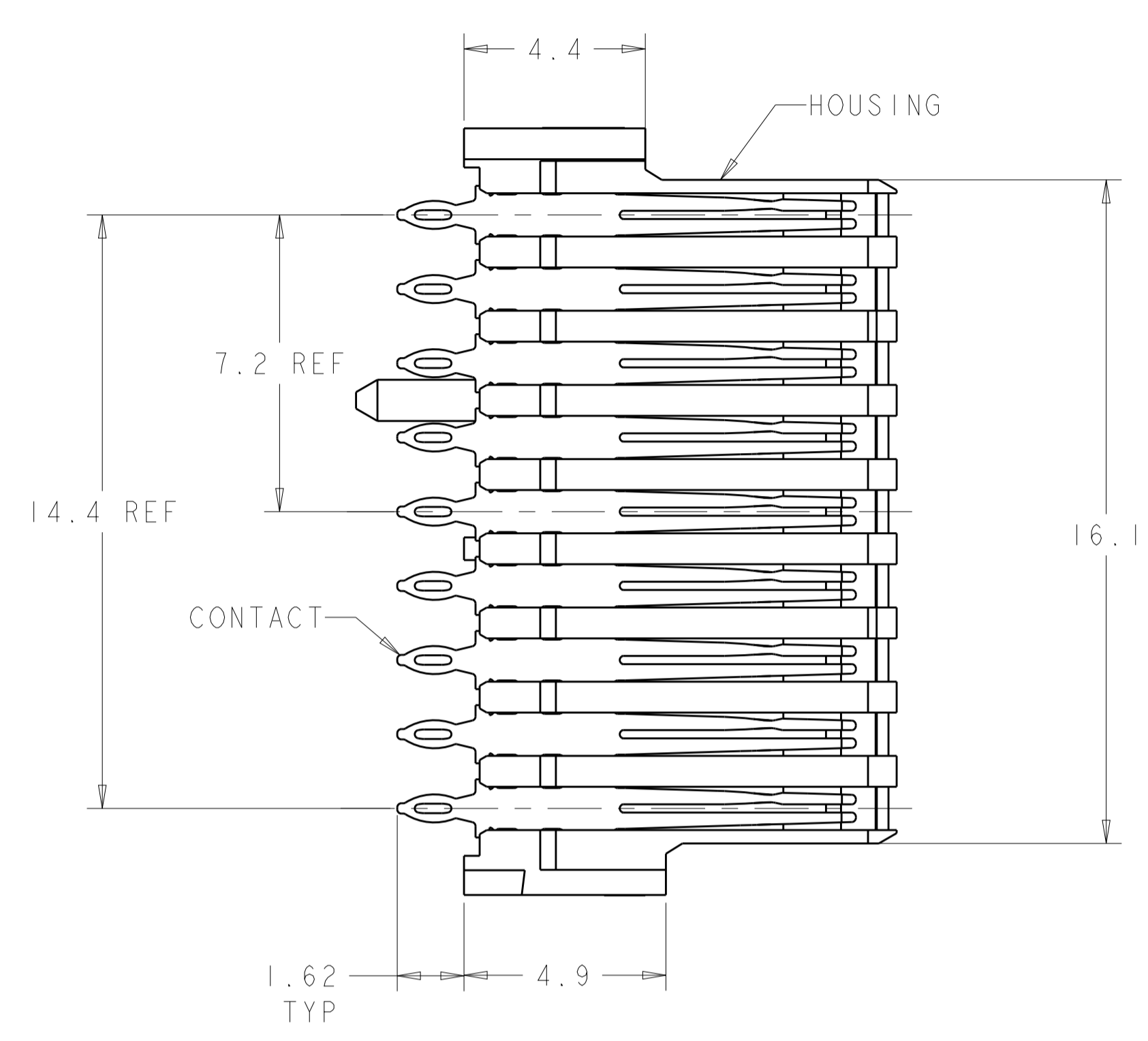
PC BOARD LAYOUT
 (CONNECTOR SIDE)
 SEE SHEET 2 FOR RTM)
 SCALE 5:1

5	2102735-2
2	2102735-1
PLATING	PART NO

THIS DRAWING IS A CONTROLLED DOCUMENT.		DWN: K. MILLER 07SEP2011	TE Connectivity	
DIMENSIONS: mm		CHK: K. THACKSTON 12SEP2011	NAME: CONNECTOR ASSEMBLY, BACKPLANE VERTICAL RECEPTACLE, HALF, LEFT END, 20.3mm, MULTIGIG RT 2-R	
TOLERANCES UNLESS OTHERWISE SPECIFIED:		APVD: M. McALONIS 10SEP2012	SIZE: CAGE CODE DRAWING NO. RESTRICTED TO	
0 PLC ±0.5		PRODUCT SPEC: 108-2072	A100779C=2102735	
2 PLC ±0.13		APPLICATION SPEC: 114-13056	SCALE 4:1 SHEET 1 OF 2 REV C	
3 PLC ±0.13		WEIGHT: 3.55g		
4 PLC ±0.13		Customer Drawing		
ANGLES ±1°				
FINISH: SEE TABLE				

LOC		DIST		REVISIONS			
				DESCRIPTION	DATE	DWN	APVD
-	-	-	-	SEE SHEET 1	-	-	-

REAR TRANSITION MODULE APPLICATION



RTM PC BOARD LAYOUT
 (CONNECTOR SIDE)
 SCALE 5:1

THIS DRAWING IS A CONTROLLED DOCUMENT.		DWN R. MILLER 07SEP2011	TE Connectivity
DIMENSIONS: mm		CHK K. THACKSTON 12SEP2011	
TOLERANCES UNLESS OTHERWISE SPECIFIED:		APVD M. McALONIS 10SEP2012	NAME CONNECTOR ASSEMBLY BACKPLANE VERTICAL RECEPTACLE, HALF, LEFT END, 20.3mm, MULTIGIG RT 2-R
0 PLC ± 1 PLC ±0.5 2 PLC ±0.13 3 PLC ± 4 PLC ± ANGLES ±1°		PRODUCT SPEC 108-2072	SIZE 114-13056
MATERIAL		APPLICATION SPEC	RESTRICTED TO
SEE TABLE		WEIGHT 3.55g	A100779C=2102735
		Customer Drawing	SCALE 4:1 SHEET 2 OF 2 REV C