

4 3 2 1

THIS DRAWING IS UNPUBLISHED. RELEASED FOR PUBLICATION
 © COPYRIGHT - TE Connectivity ALL RIGHTS RESERVED.

REVISIONS					
P	LTR	DESCRIPTION	DATE	DWN	APVD
5		change line style	17OCT2018	E.Z	W.H

NOTES:

- MATERIAL:
 - 1.1 HOUSING: HIGH TEMPERATURE THERMOPLASTIC UL94V-0, COLOR: NATURAL.
 - 1.2 ACTUATOR: HIGH TEMPERATURE THERMOPLASTIC UL94V-0, COLOR: BLACK.
 - 1.3 CONTACT: COPPER ALLOY.
 - 1.4 FITTING NAIL: STAINLESS STEEL.
- FINISH:
 - 2.1 CONTACT: GOLD PLATING 3u" MIN. ON CONTACT AREA. GOLD PLATING 1u" MIN. ON SOLDER TAILS. 50u" MIN. NICKEL UNDERPLATING OVERALL.
 - 2.2 FITTING NAIL: TIN PLATING ON SOLDER TAILS. 50u" MIN. NICKEL UNDERPLATING OVERALL.
- SPECIFICATION:
 - VOLTAGE: 50V AC/DC
 - CURRENT RATING: 0.5 AMPERE
 - CONTACT RESISTANCE: INITIAL 50 mOHMS MAX. AFTER TEST Δ30 mOHMS MAX.
 - DIELECTRIC WITHSTANDING VOLTAGE: 250V AC/1 MINUTE;
 - INSULATION RESISTANCE: 500M OHMS MIN.
 - FFC/FPC WITHDRAWL FORCE: 0.20N PER CONTACT MIN;
 - FFC/FPC THICKNESS: 0.30+/-0.03mm.
- THE PRODUCT IS RoHS AND HF COMPLIANT.

△ PIN NO.

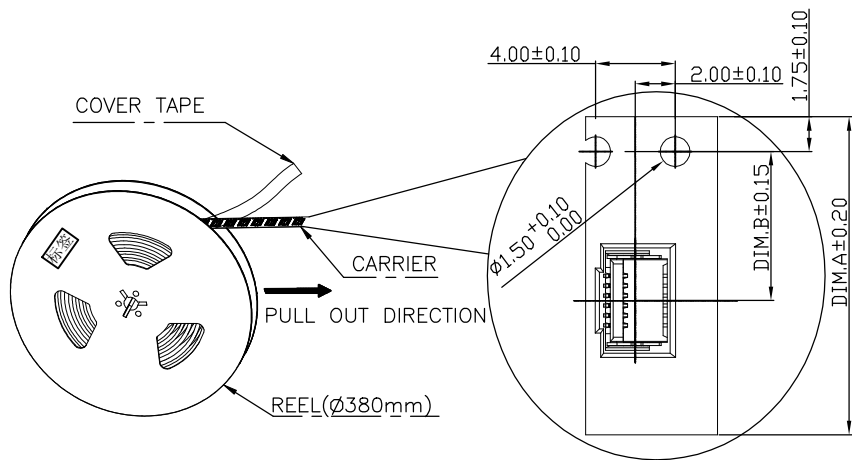
PIN NO.	DIM.E	DIM.D	DIM.C	DIM.B	DIM.A	PART NO.
24	13.10	12.53	11.50	13.36	14.00	2-2328702-4
10	6.10	5.53	4.50	6.36	7.00	1-2328702-0
8	5.10	4.53	3.50	5.36	6.00	2328702-8
6	4.10	3.53	2.50	4.36	5.00	2328702-6
4	3.10	2.53	1.50	3.36	4.00	2328702-4

THIS DRAWING IS A CONTROLLED DOCUMENT.		DWN ELIANA ZHANG 20171228	TE Connectivity		
		CHK WENKE HE 20171228			
DIMENSIONS: mm		APVD WENKE HE 20171228	NAME 0.5 PITCH FPC CONNECTOR BACK FLIP		
TOLERANCES UNLESS OTHERWISE SPECIFIED:		PRODUCT SPEC 108-115142	DRAWING NO A300779		
0 PLC ± 0.40 1 PLC ± 0.25 2 PLC ± 0.15 3 PLC ± 0.10 4 PLC ± - ANGLES ± -		APPLICATION SPEC -	RESTRICTED TO -		
MATERIAL -		FINISH -	WEIGHT SEE TABLE	CAGE CODE G=2328702	
CUSTOMER DRAWING			SCALE 1:1	SHEET 1 OF 2	REV 5

1470-19 (1/15)

THIS DRAWING IS UNPUBLISHED. RELEASED FOR PUBLICATION
 © COPYRIGHT - TE Connectivity Ltd. ALL RIGHTS RESERVED.

REVISIONS				
P	LTR	DESCRIPTION	DATE	APVD
-	-	SEE SHEET 1	-	-



NOTES: (APPLIED TO CURRENT SHEET)

1. THE DIRECTION OF EACH CONNECTOR ON A EMBOSS IS REFERRED TO THIS DRAWING.
2. PACKAGED IN EMBOSS TAPE AND PLASTIC RELL 4000 PCS PER RELL.
3. WINDING THE COVER TAPE AROUND THE OUTER PERIPHERY IN A TURN.

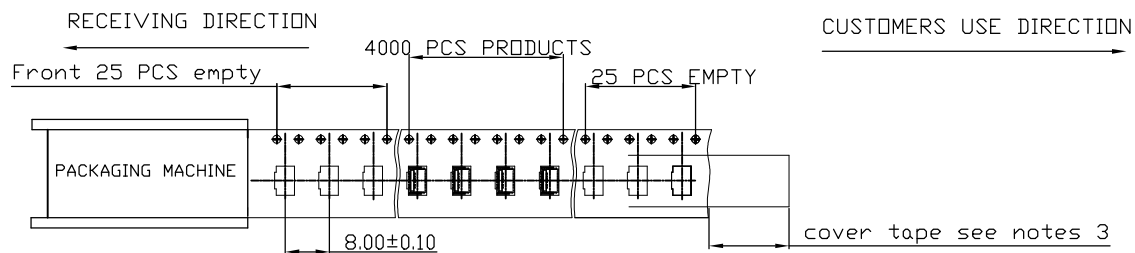
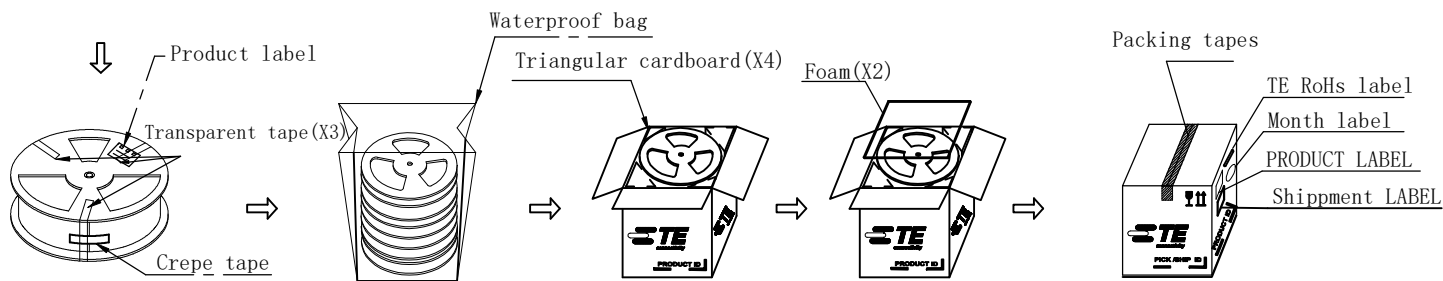



TABLE A

P/N	PIN NO.	Amount of packing		Weight of packing			DIMA	DIMB
		Pcs/ Reel	Reel/ Carton	PCS/ Carton	Unit weight (g)	Net weight (kg)		
2-2328702-4	24	4,000	5	20,000	0.0827	1.654	5.735	24.00
1-2328702-0	10	4,000	7	28,000	0.0405	1.134	5.06	16.00
2328702-8	8	4,000	7	28,000	0.0335	0.938	4.845	
2328702-6	6	4,000	7	28,000	0.0280	0.784	4.675	
2328702-4	4	4,000	7	28,000	0.0218	0.611	5.735	



THIS DRAWING IS A CONTROLLED DOCUMENT.		DWN ELIANA ZHANG 28DEC2017	 TE Connectivity	
DIMENSIONS: mm		CHK WENKE HE 20171228		
TOLERANCES UNLESS OTHERWISE SPECIFIED:		APVD WENKE HE 20171228	NAME 0.5 PITCH FPC CONNECTOR BACK FLIP	
0 PLC ± 0.40 1 PLC ± 0.25 2 PLC ± 0.15 3 PLC ± 0.10 4 PLC ± - ANGLES ± -		PRODUCT SPEC 108-115142	DRAWING NO -	
MATERIAL		APPLICATION SPEC -	SIZE A3	RESTRICTED TO -
FINISH		WEIGHT SEE TABLE	CAGE CODE 00779	DRAWING NO G=2328702
CUSTOMER DRAWING			SCALE 1:1	SHEET 2 OF 2
			REV 5	