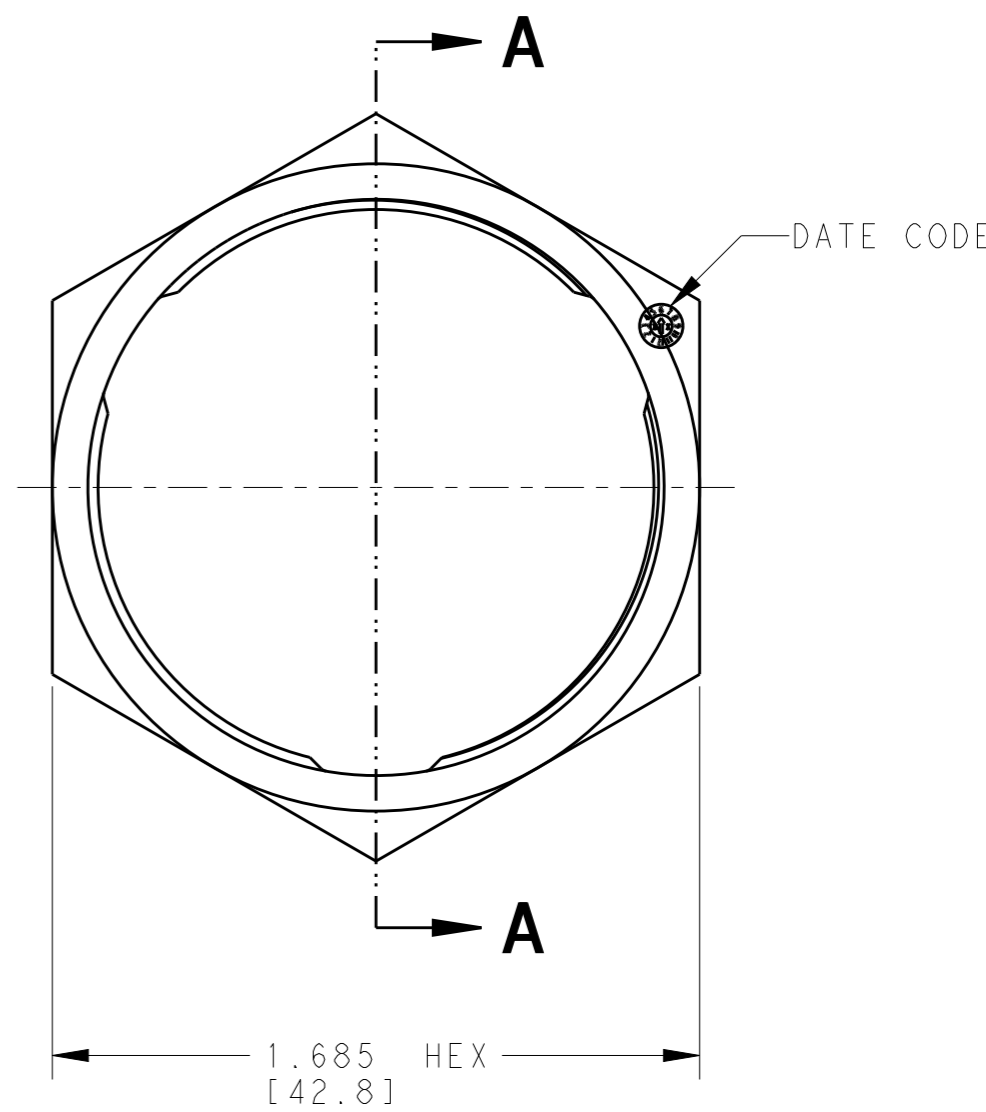
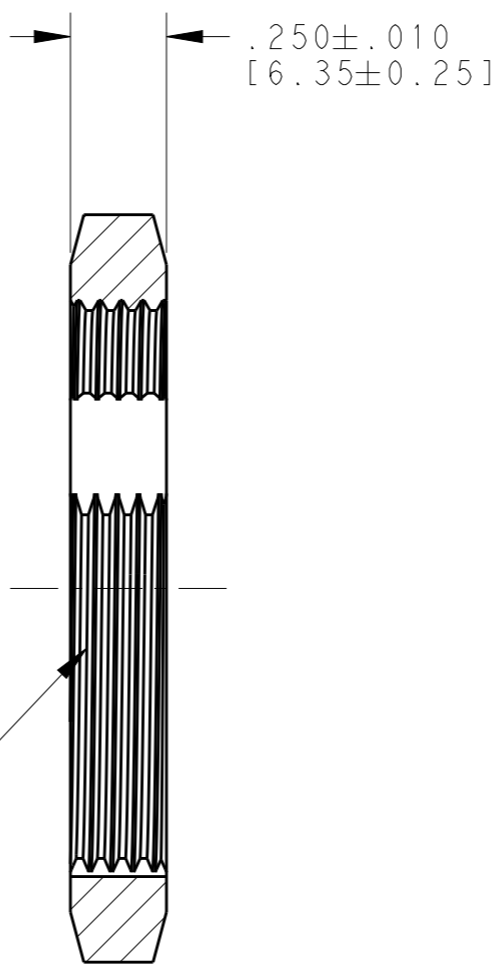
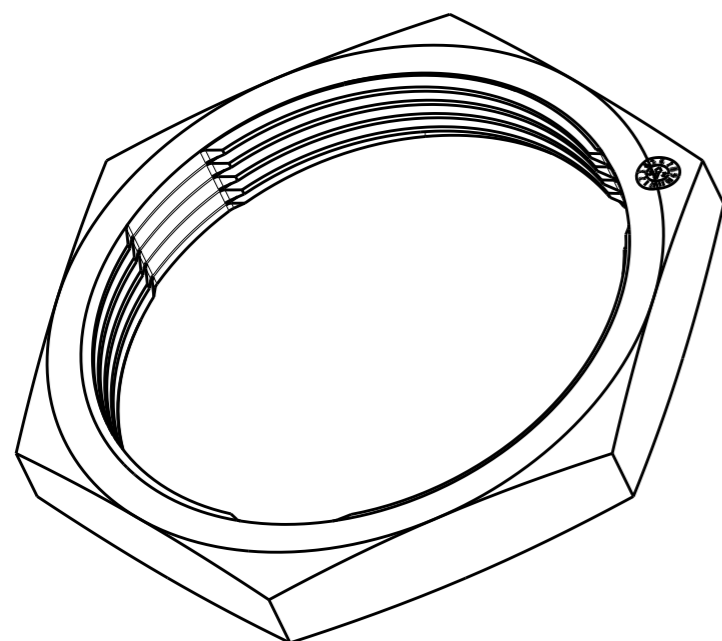


THIS DRAWING IS UNPUBLISHED  
 RELEASED FOR PUBLICATION 2014  
 © COPYRIGHT 2013 BY TE CONNECTIVITY ALL RIGHTS RESERVED.

LOC	DIST	REVISIONS			
P	LTR	DESCRIPTION	DATE	DWN	APVD
	NC	NEW RELEASE PER E.O. P16488	2-4-00	SB	RDR
	A	REVISED PER ECO-14-011896	8-4-14	JA	DM



**SECTION A-A**

3. TO BE USED ON HDP SERIES SIZE 18.

2 MATERIAL: PEI 30% GF, BLACK.

1. FOR APPLICATION CHARACTERISTICS SEE DRAWING 0425-021-0000.

NOTES:

THIS DRAWING IS A CONTROLLED DOCUMENT.		DWN	12 JUN 2014		
DIMENSIONS: INCHES [mm]		CHK	04 AUG 2014		
TOLERANCES UNLESS OTHERWISE SPECIFIED:		APVD	04 AUG 2014		
0 PLC ± 1 PLC ± 2 PLC ± 3 PLC ±.025 [.64] 4 PLC ± ANGLES ±0°30'0"		PRODUCT SPEC	NAME		
MATERIAL	2	FINISH		PLASTIC PANEL NUT FOR RECEPTACLES SIZE 18 HDP SERIES	
WEIGHT 4.47g Customer Drawing		APVD	DAVID MEYER	SIZE	A3
		APVD	DAVID MEYER	CAGE CODE	4AFU8
		APVD	DAVID MEYER	DRAWING NO	2411-002-1805
		APVD	DAVID MEYER	RESTRICTED TO	
		APVD	DAVID MEYER	SCALE	2:1
		APVD	DAVID MEYER	SHEET	1 OF 1
		APVD	DAVID MEYER	REV	A