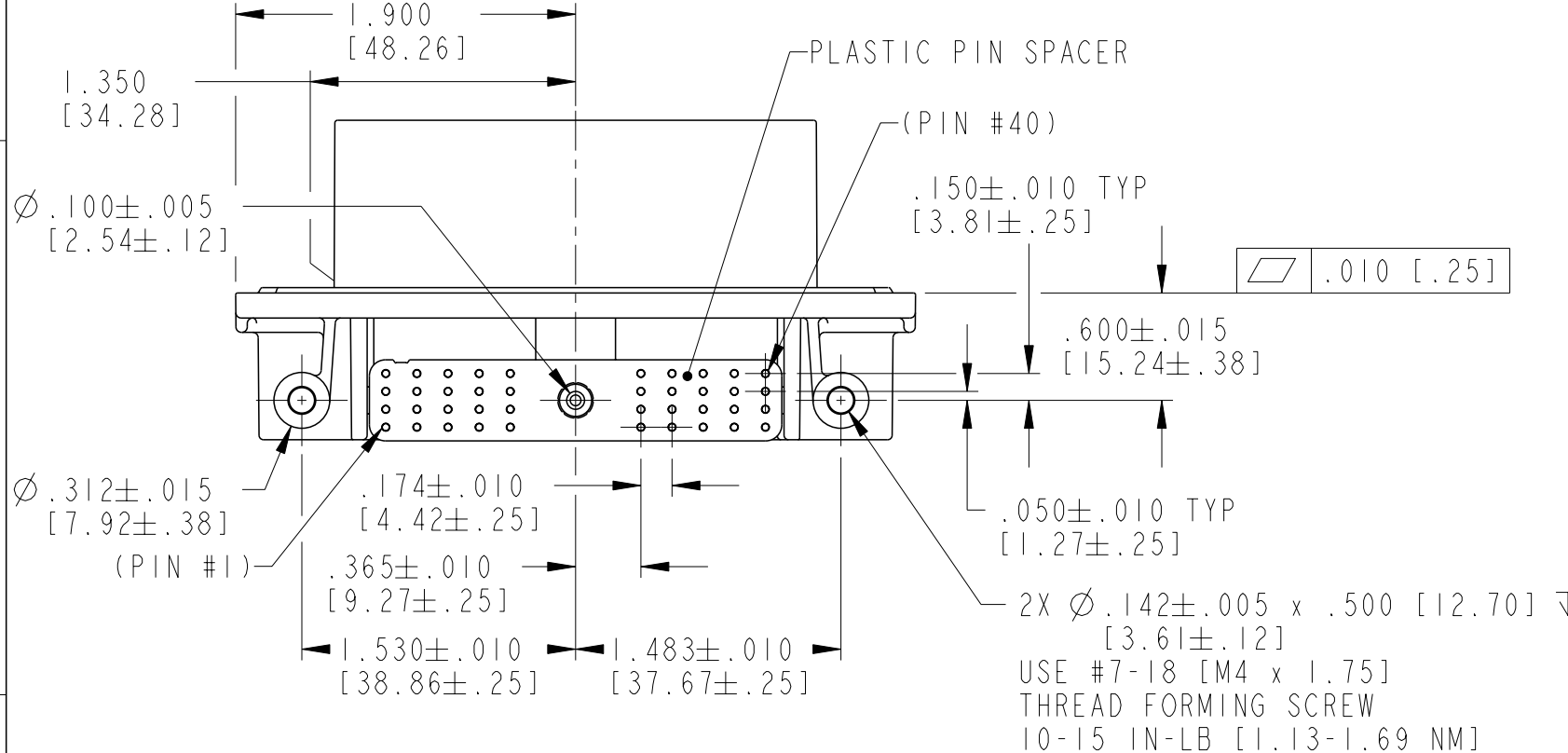
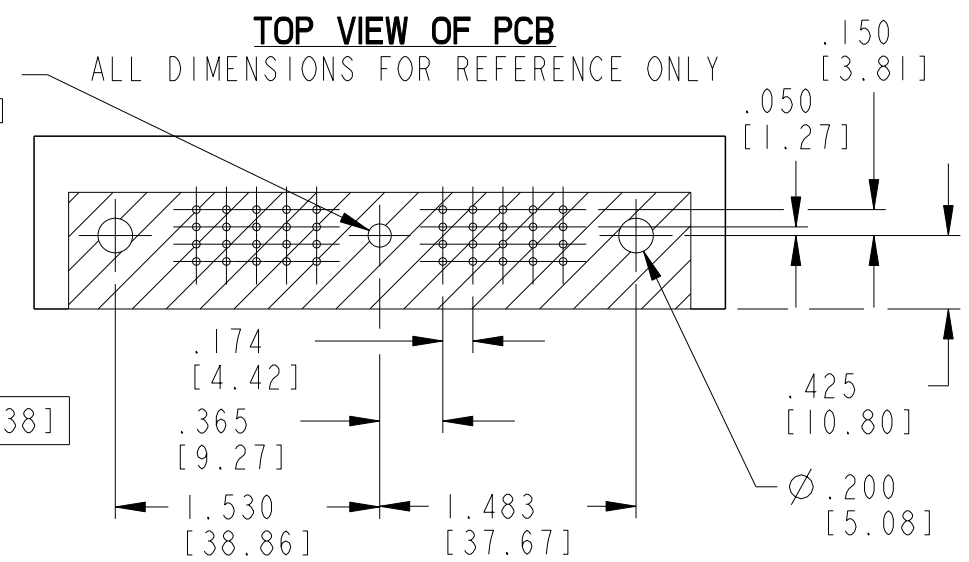
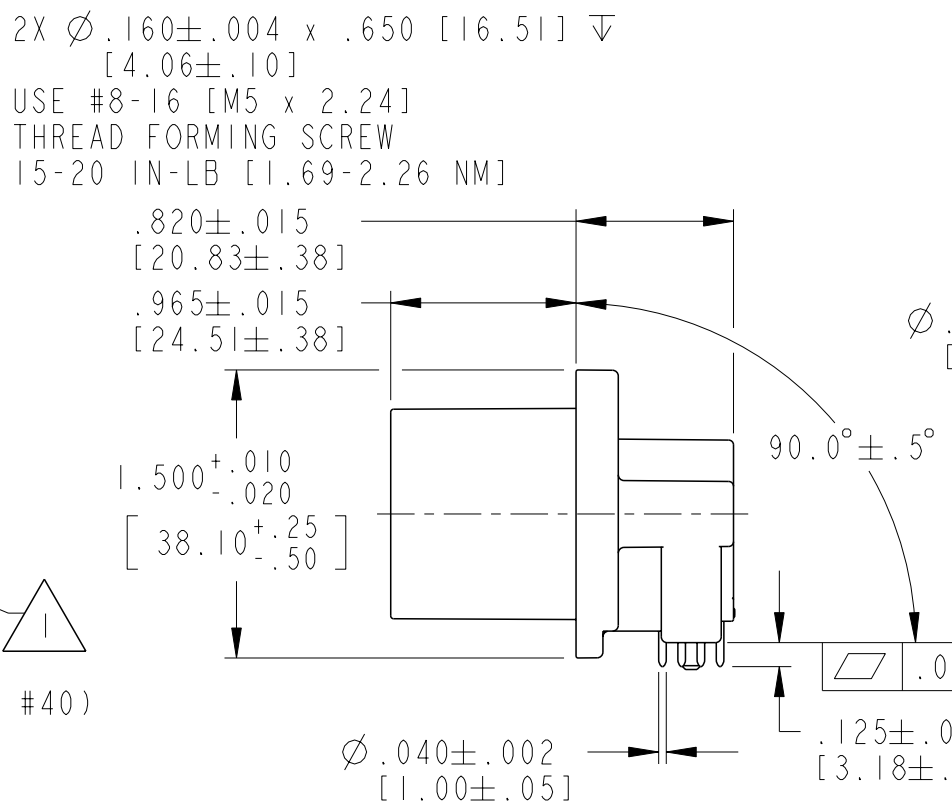
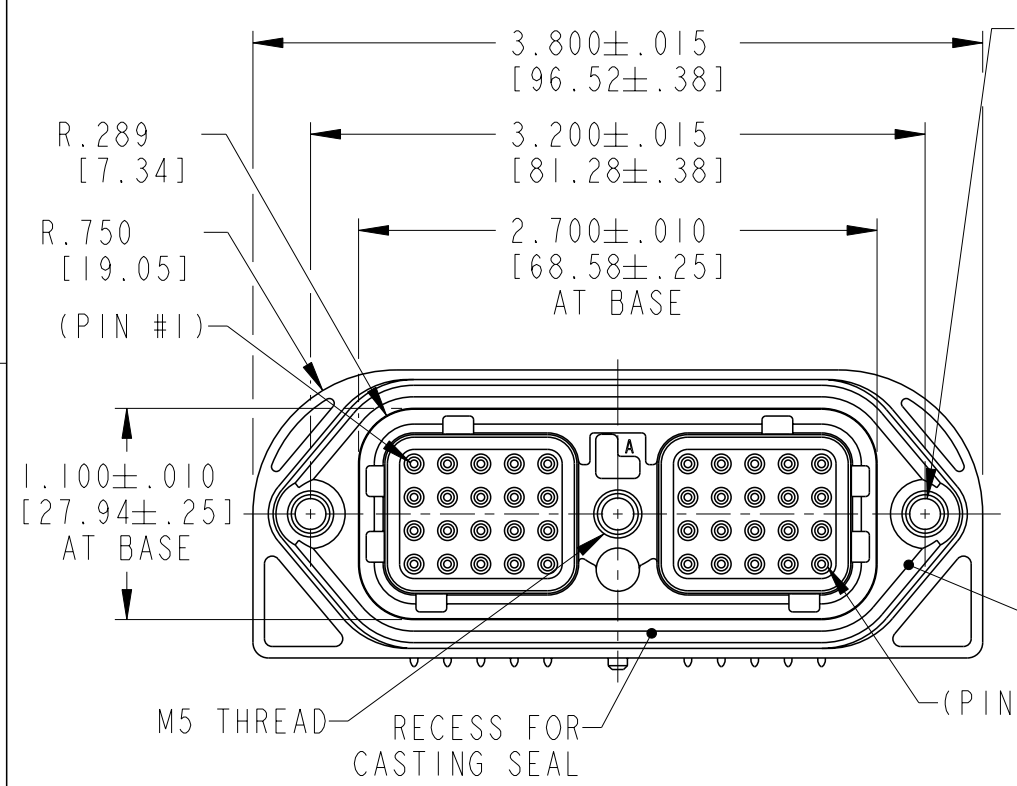


THIS DRAWING IS UNPUBLISHED  
 RELEASED FOR PUBLICATION 2017  
 © COPYRIGHT 2017 BY - TE CONNECTIVITY ALL RIGHTS RESERVED.

REVISIONS					
P	LTR	DESCRIPTION	DATE	DWN	APVD
	B	REVISED PER PCN E-17-011385	27JUL2017	CM	DM



TE INTERNAL PN	DEUTSCH PN
DRC23-40PA-N012	DRC23-40PA-N012
DRC23-40PB-N012	DRC23-40PB-N012
DRC23-40PC-N012	DRC23-40PC-N012
DRC23-40PD-N012	DRC23-40PD-N012

5. CONNECTOR MATES WITH DRC26-40SX-XXXX (X=A,B,C,D KEY AND XXXX=ALL MODIFICATIONS).  
 4. CONNECTOR MATERIAL COLOR-BLACK: MARKED ON REAR: >PA-GF<.  
 3. CONTACT PLATING: ENGAGEMENT END GOLDPLATE, PCB END TIN PLATE.  
 2. RECEPTACLE IS SUPPLIED WITH A DUST CAP (NOT SHOWN).  
 1. CASTING SEAL IS INSTALLED WITH ASSEMBLY.

NOTES:

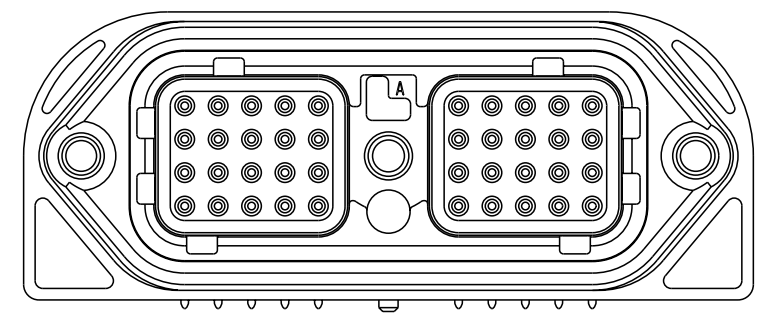
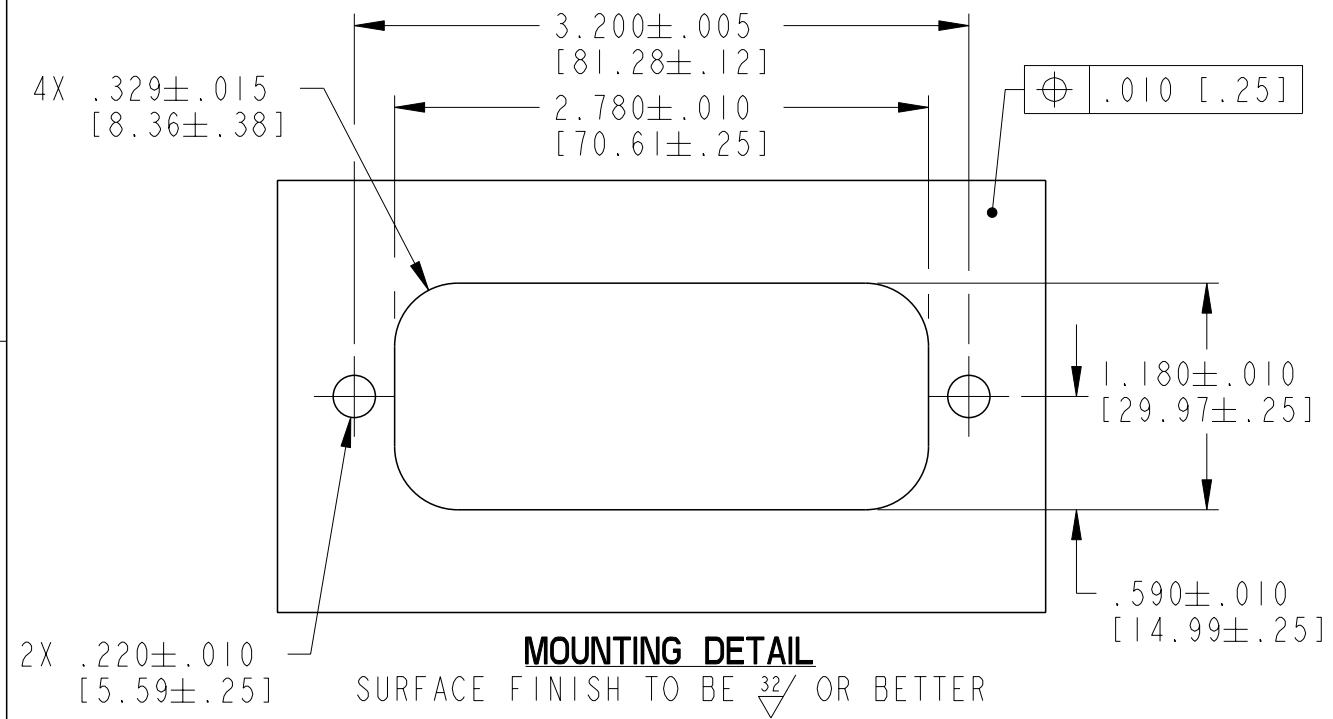
THIS DRAWING IS A CONTROLLED DOCUMENT.

DIMENSIONS: INCHES [mm]	TOLERANCES UNLESS OTHERWISE SPECIFIED: 0 PLC ± 1 PLC ± 2 PLC ± 3 PLC ±.025 [0.64] 4 PLC ± ANGLES ±0°30'0"	DWN J. APOSTOL 04NOV2010 CHK P. CARNAHAN 10NOV2010 APVD D. MEYER 11NOV2010 PRODUCT SPEC - APPLICATION SPEC - WEIGHT -	TE Connectivity NAME 40 WAY RECEPTACLE -N012 MOD. DRC SERIES SIZE A3 CAGE CODE 4AFU8 DRAWING NO. C-DRC23-40PX-N012 RESTRICTED TO -
MATERIAL $\nabla$ 4	FINISH -	CUSTOMER DRAWING	

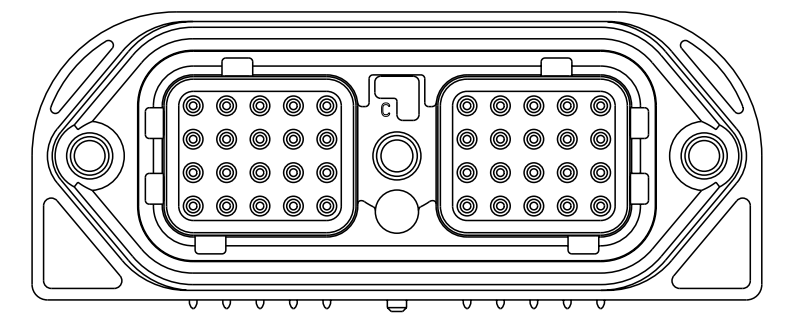
SCALE 1:1 SHEET 1 OF 2 REV B

REVISIONS

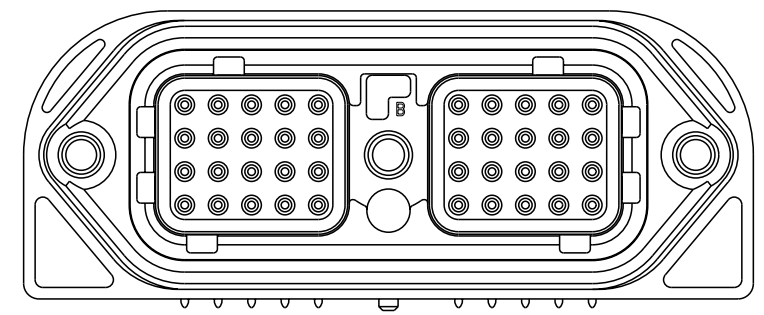
P	LTR	DESCRIPTION	DATE	DWN	APVD
-	-	SEE SHEET 1	-	-	-



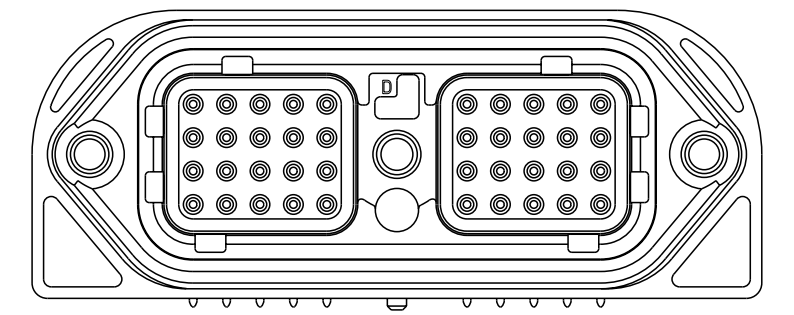
**KEY ARRANGEMENT -A-  
DRC23-40PA-N012**



**KEY ARRANGEMENT -C-  
DRC23-40PC-N012**



**KEY ARRANGEMENT -B-  
DRC23-40PB-N012**



**KEY ARRANGEMENT -D-  
DRC23-40PD-N012**

THIS DRAWING IS A CONTROLLED DOCUMENT.		DWN J. APOSTOL 04NOV2010	TE Connectivity	
DIMENSIONS: INCHES [mm]		CHK P. CARNAHAN 10NOV2010		
TOLERANCES UNLESS OTHERWISE SPECIFIED:		APVD D. MEYER 11NOV2010	NAME 40 WAY RECEPTACLE -N012 MOD. DRC SERIES	
0 PLC ± 1 PLC ± 2 PLC ± 3 PLC ±.025 [0.64] 4 PLC ± ANGLES ±0° 30' 0"		PRODUCT SPEC -	-	
MATERIAL 4		FINISH -	APPLICATION SPEC -	RESTRICTED TO -
		WEIGHT -	SIZE A3	CAGE CODE 4AFU8
		CUSTOMER DRAWING	DRAWING NO. DRC23-40PX-N012	RESTRICTED TO -
			SCALE 1:1	SHEET 2 OF 2
				REV B