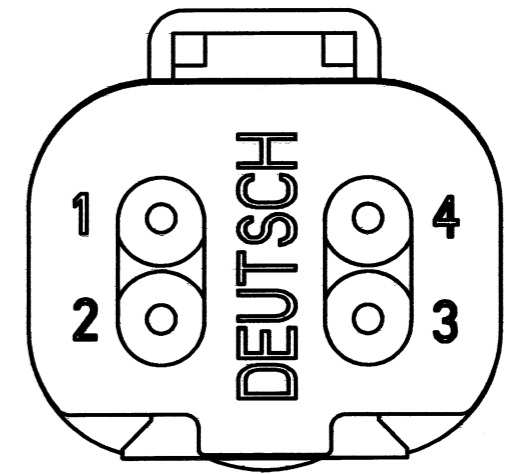
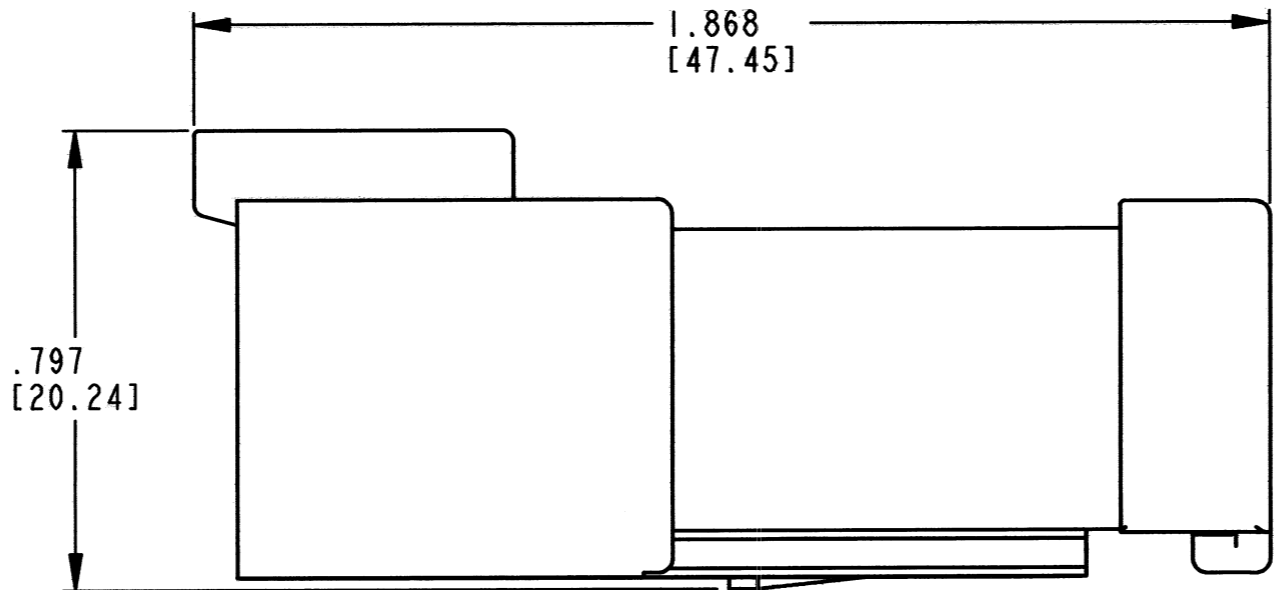
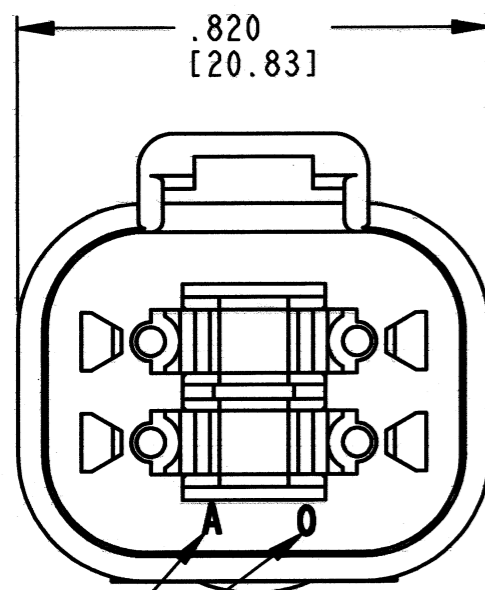


REV B	DT04-4P-E003	REVISIONS			
		SYM	DESCRIPTION	DATE	APPROVED
		NC	NEW RELEASE PER E.O. A09342	9/6/90	J.A.
		A	REVISED PER E.O. A13781	3/19/92	J.A.
		B	REVISED PER E.O. P21170	10-26-11	RDR



DATE CODE: YEAR IS REPRESENTED BY LAST NUMERICAL DIGIT (EX: 0=2010). SEQUENTIAL ALPHA CHARACTERS REPRESENT MONTH (EX: A=JANUARY).

- 5. MATERIAL: SHELL: PLASTIC; COLOR: GRAY  
GROMMET: RUBBER
  - 4. THIS RECEPTACLE MATES WITH DT06-4S-\*\*\*\* PLUG (\*\*\*\*=ALL MODIFICATIONS).
  - 3. FOR CONTACTS AND WIRE PERFORMANCE AND APPLICATION CHARACTERISTICS SEE ENVELOPE DRAWING 0425-015-0000 AND 0425-017-0000.
  - 2. DIMENSIONS ARE ±.025[0.63] UNLESS OTHERWISE SPECIFIED.
  - 1. DIMENSIONS ARE IN INCHES [MILLIMETERS].
- NOTES:

CONTACT SIZE	MIN. INSUL. O.D.	MAX. INSUL. O.D.	WIRE RANGE [mm <sup>2</sup> ]
16	.088 [2.24]	.145 [3.70]	14-20 AWG [2.0-0.5]

SIGNATURE & DATE	
DR	A. MALAGON 24OCT11
CHK	B. B. 10/26/2011
PE	R. W. 10/25/11
APPD	S. B. 10/26/11
SCALE	NONE WT

**4 WAY RECEPTACLE  
-E003 MOD.  
DT SERIES**

ENVELOPE

EP	MATL. CODE
3850 INDUSTRIAL AVE. HEMET, CA 92545	
<b>DEUTSCH INDUSTRIAL</b>	
<b>B</b>	<b>DT04-4P-E003</b>
DWG SIZE	CODE 11139 SHEET   OF