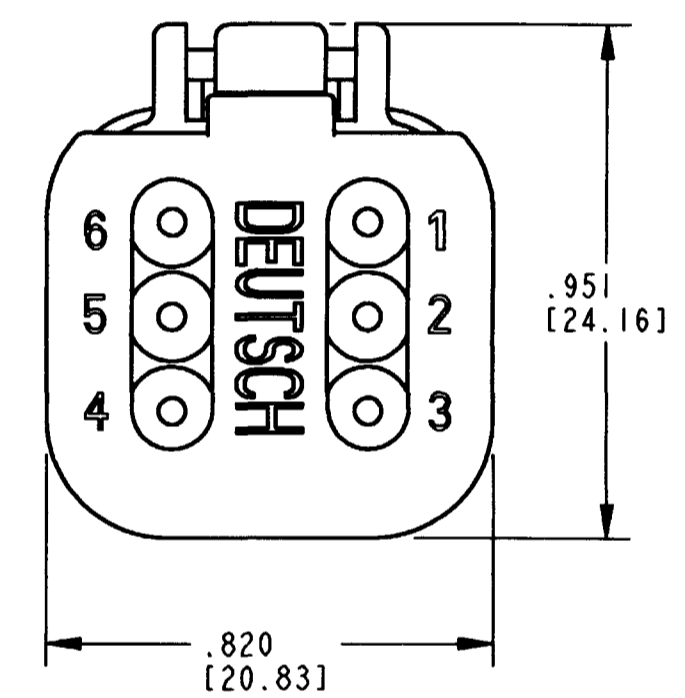
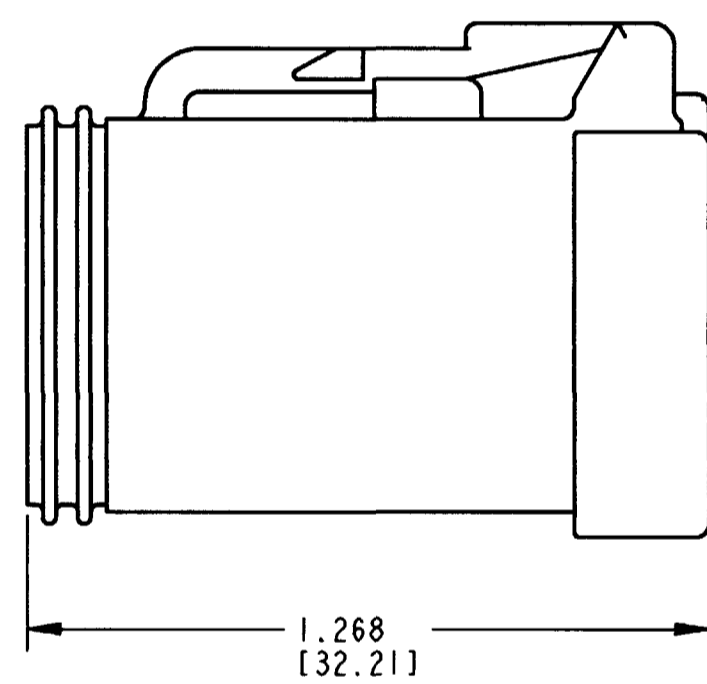
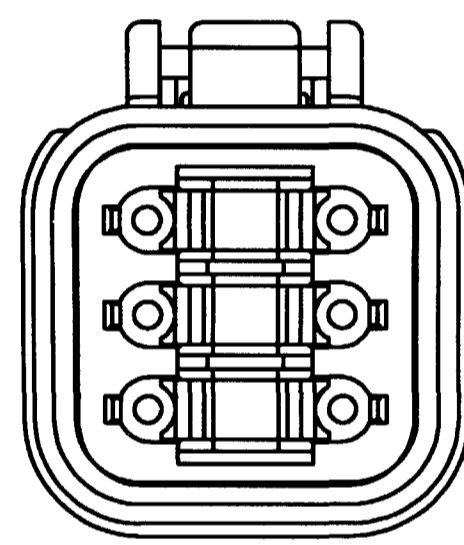


REV
A DT06-6S-E005

REVISIONS			
SYM	DESCRIPTION	DATE	APPROVED
NC	NEW RELEASE PER E.O. A13781	3/19/92	J.A.
A	REVISED PER E.O. P17685	4-17-02	<i>ASR</i>



5. SHELL MATERIAL: PLASTIC
SEAL MATERIAL: RUBBER
4. THIS PLUG MATES WITH DT04-6P-**** (**** = ALL MODIFICATION)
CONSULT FACTORY FOR MODIFICATIONS.
3. FOR CONTACTS AND WIRE PERFORMANCE AND APPLICATION CHARACTERISTICS,
SEE ENVELOPE DRAWINGS 0425-015-0000 AND 0425-017-0000.
2. ALL DIMENSIONS ARE ±.025 [0.64] UNLESS OTHERWISE SPECIFIED.
1. ALL DIMENSIONS ARE IN INCHES [MILLIMETERS].
- NOTES:

CONTACT SIZE	MIN. INSUL. O.D.	MAX. INSUL. O.D.	WIRE RANGE [mm ²] REF ONLY
16	.088 [2.24]	.145 [3.68]	14-20 AWG [2.0-0.5]

SIGNATURE & DATE	
DR	X. SANCHEZ 22MAR02
CHK	<i>Quinn C. G... 9/11/02</i>
PE	<i>Tracy... 4/2/02</i>
APPD	<i>S... 4-9-02</i>
SCALE	NONE WT

6 WAY PLUG
-E005 MOD.
COLOR: BLACK
D.T. SERIES

ENVELOPE

CP	MATL. CODE
The Deutsch Company DEUTSCH I.P.D. 3850 INDUSTRIAL AVE. HEMET, CALIF. 92545	
B	DT06-6S-E005
DWG. SIZE	CODE 11139 SHEET OF