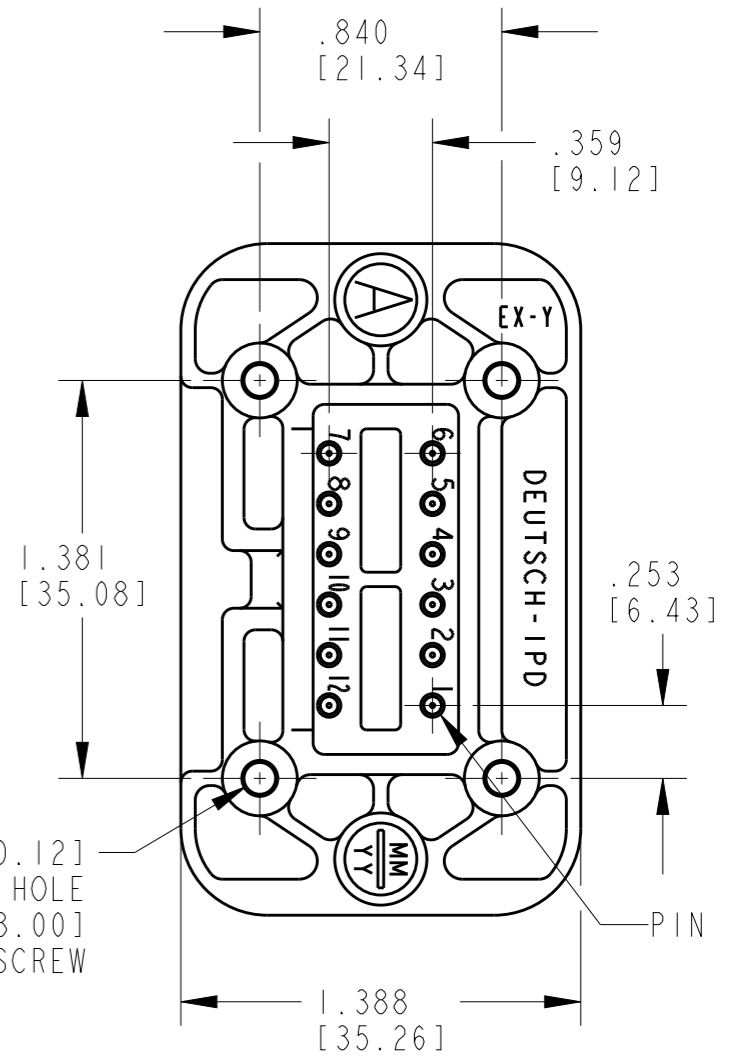
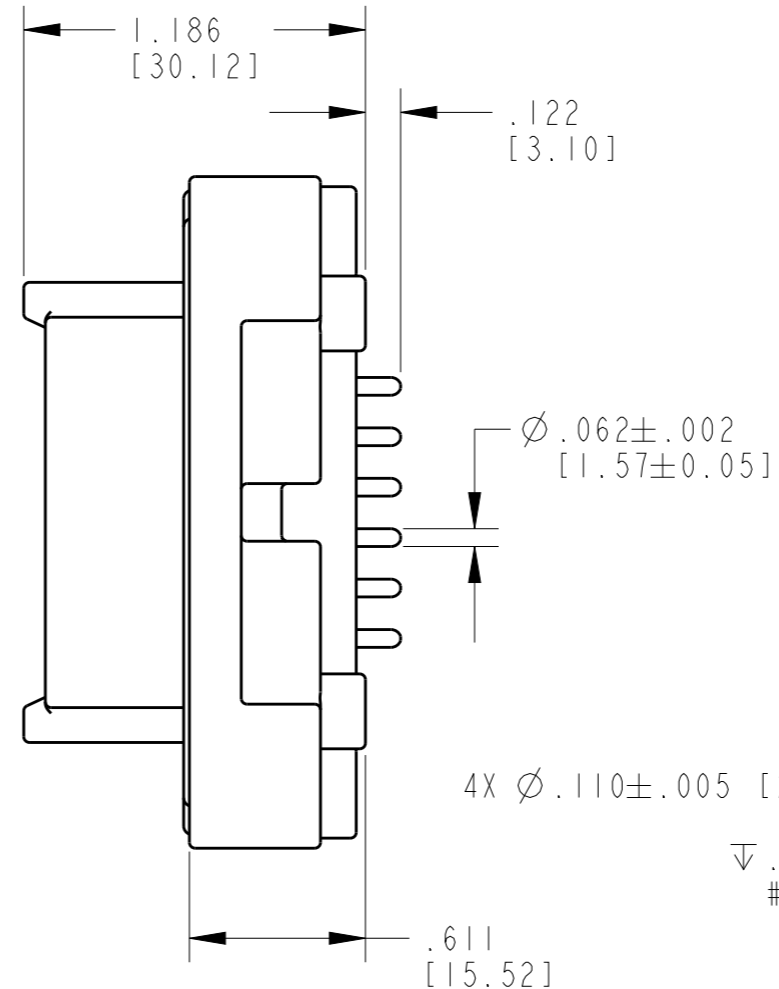
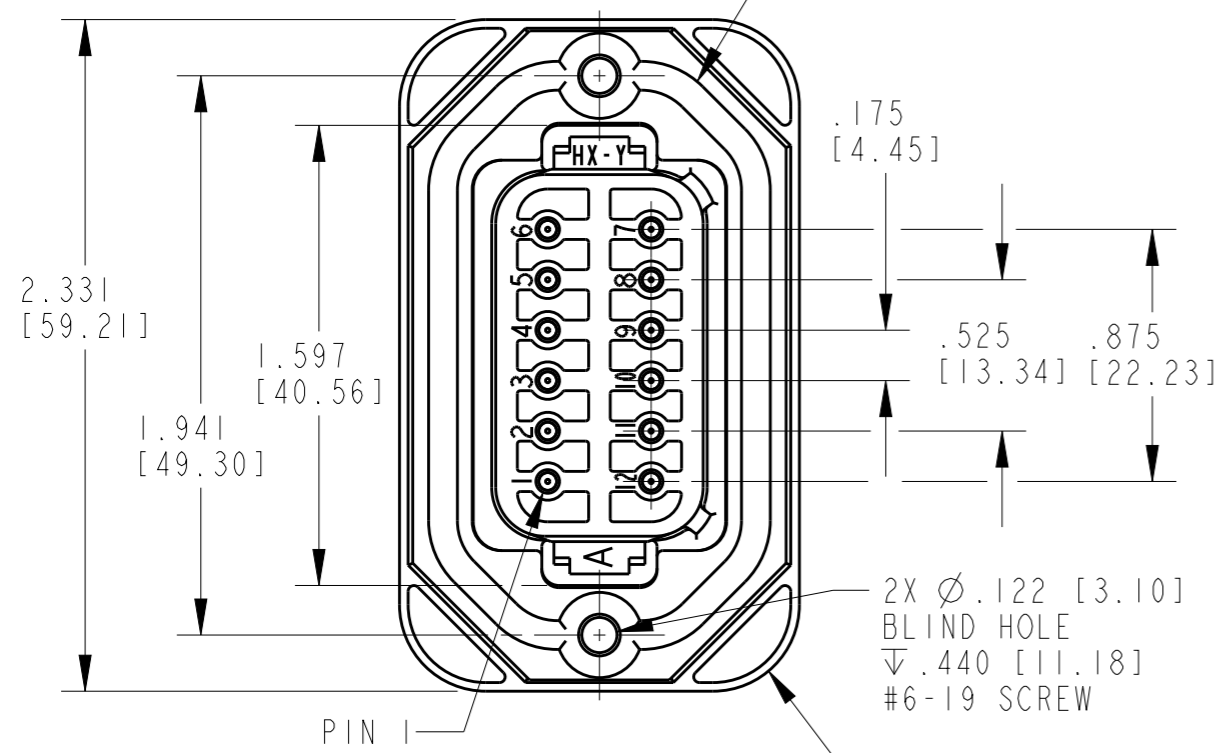
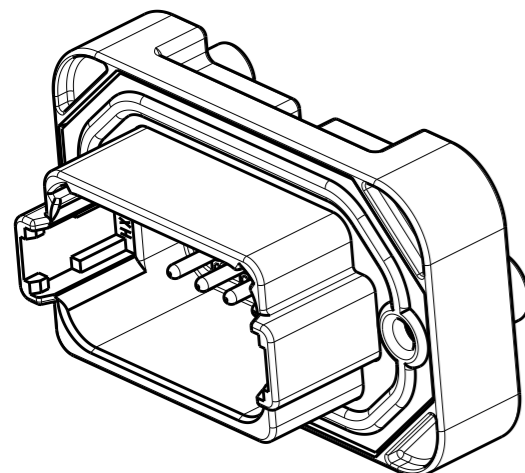


THIS DRAWING IS UNPUBLISHED
 RELEASED FOR PUBLICATION 2016
 © COPYRIGHT 2016 BY TE CONNECTIVITY ALL RIGHTS RESERVED.

| LOC | DIST | REVISIONS | | | |
|-----|------|-------------|---------------------------|-----------|--------|
| P | LTR | DESCRIPTION | DATE | DWN | APVD |
| | | C1 | REVISED PER ECO-14-010107 | 03JUL2014 | JA DM |
| | | C2 | REVISED PER ECO-16-006330 | 24MAR2016 | VNB DM |
| | | C3 | REVISED PER ECO-16-009538 | 24JUN2016 | JA DM |



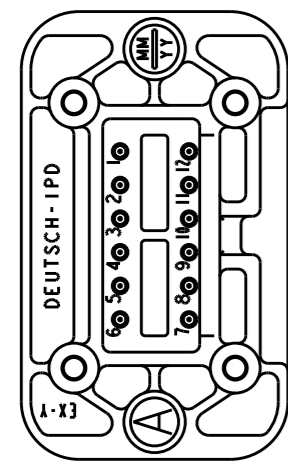
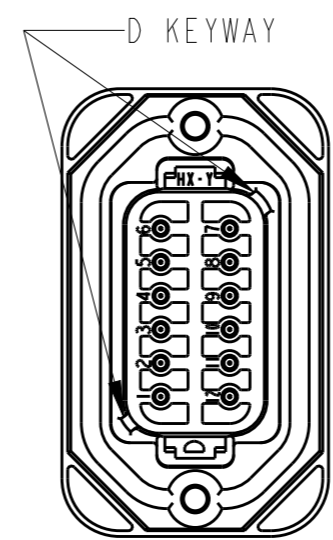
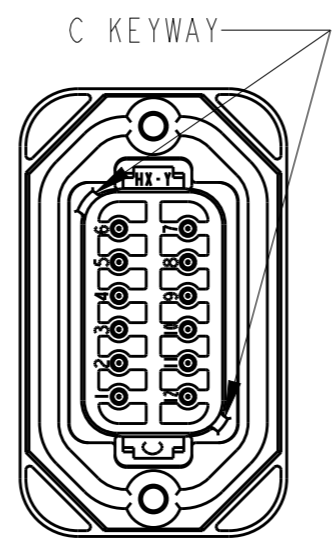
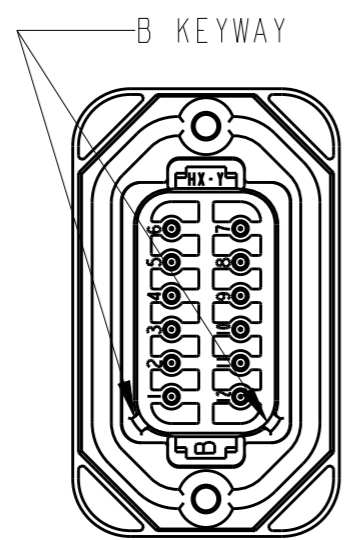
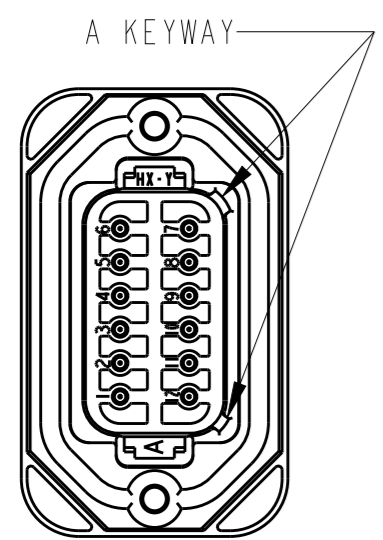
- SEE SHEET 2 FOR OTHER KEY ARRANGEMENTS.
- MOUNTING SCREW TORQUE VALUES ARE AS FOLLOWS:
 #6-19 SCREWS: 11-15 IN-LB [1.24-1.70 N-m].
 #4-20 SCREWS: 6-10 IN-LB [.68-1.13 N-M].
 VALUES VALID FOR PLASTITE 48 SCREWS ONLY.
- RECOMMENDED MOUNTING SCREWS (NOT INCLUDED): CAMCAR PLASTITE 48, SINGLE HELIX.
- THIS RECEPTACLE MATES WITH DT06-12SX-XXXX PLUG (X = A,B,C,D KEYS, XXXX = ALL MODIFICATIONS).
- CONTACT PLATING - MATING SIDE: NICKEL; PCB SIDE: TIN

| TE INTERNAL PN | DEUTSCH PN |
|----------------|------------|
| DT15-12PA | DT15-12PA |
| DT15-12PB | DT15-12PB |
| DT15-12PC | DT15-12PC |
| DT15-12PD | DT15-12PD |

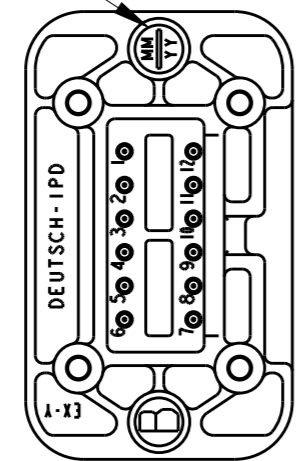
- 2 MATERIALS:
 HOUSING/PIN SPACER: PA46 GF30 (SEE SHEET 2 FOR COLORS)
 FLANGE SEAL: VMQ (RED-ORANGE)
 PIN CONTACTS: COPPER ALLOY
- 1 DIMENSION TOLERANCE: ±.025 [.64]
 PANEL CUTOUT: ±.010 [.25]
 PIN LOCATIONS: ±.005 [.13]
 MOUNTING HOLE LOCATIONS: ±.010 [.13]

| | | | | | | | | | | | |
|--|----------|----------------------------|---|---------|---------|---------|---------|----------|--------------|---|--|
| THIS DRAWING IS A CONTROLLED DOCUMENT. | | DWN P. BURKE 08JUN2001 | | | | | | | | | |
| DIMENSIONS: INCHES [mm] | | CHK KEVIN MCKEE 03JUL2014 | | | | | | | | | |
| TOLERANCES UNLESS OTHERWISE SPECIFIED: | | APVD DAVID MEYER 03JUL2014 | NAME RECEPTACLE HEADER 12 PIN 180 DEG DT SERIES | | | | | | | | |
| <table border="0"> <tr> <td>0 PLC ±</td> <td rowspan="4"> </td> </tr> <tr> <td>1 PLC ±</td> </tr> <tr> <td>2 PLC ±</td> </tr> <tr> <td>3 PLC ±</td> </tr> <tr> <td>4 PLC ±</td> <td>±0°30'0"</td> </tr> </table> | | 0 PLC ± | | 1 PLC ± | 2 PLC ± | 3 PLC ± | 4 PLC ± | ±0°30'0" | PRODUCT SPEC | SIZE A3 CAGE CODE 4AFU8 DRAWING NO. DT15-12PX RESTRICTED TO | |
| 0 PLC ± | | | | | | | | | | | |
| 1 PLC ± | | | | | | | | | | | |
| 2 PLC ± | | | | | | | | | | | |
| 3 PLC ± | | | | | | | | | | | |
| 4 PLC ± | ±0°30'0" | | | | | | | | | | |
| MATERIAL | | APPLICATION SPEC | SCALE 3:2 SHEET 1 OF 2 REV C3 | | | | | | | | |
| FINISH | | WEIGHT | CUSTOMER DRAWING | | | | | | | | |

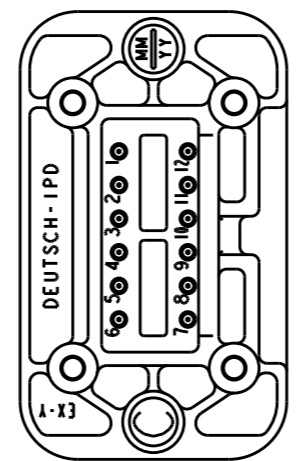
| LOC | | DIST | | REVISIONS | | | |
|-----|-----|-------------|--|-----------|-----|------|--|
| P | LTR | DESCRIPTION | | DATE | DWN | APVD | |
| | - | SEE SHEET 1 | | - | - | - | |
| | | | | | | | |
| | | | | | | | |



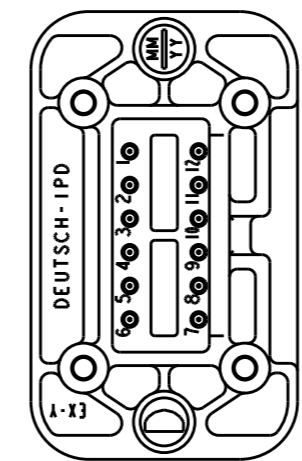
DT15-12PA
COLOR GREY



DT15-12PB
COLOR BLACK

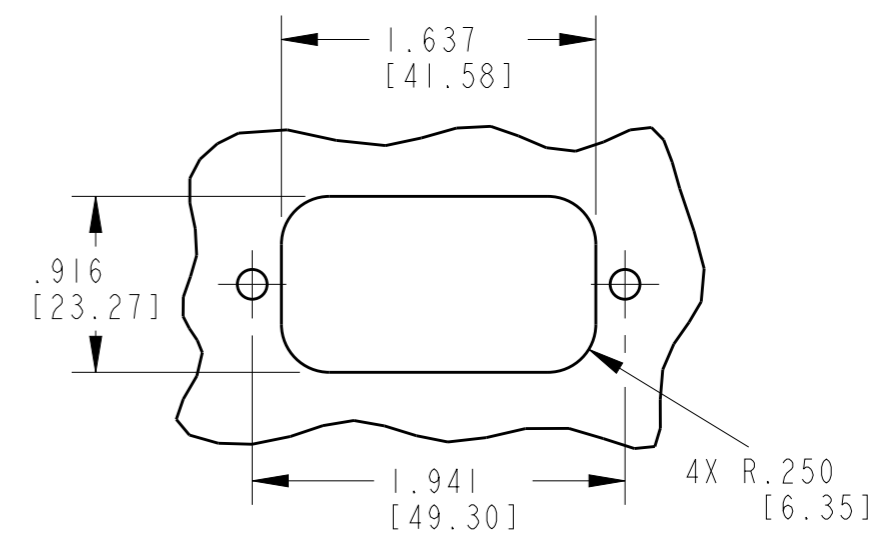
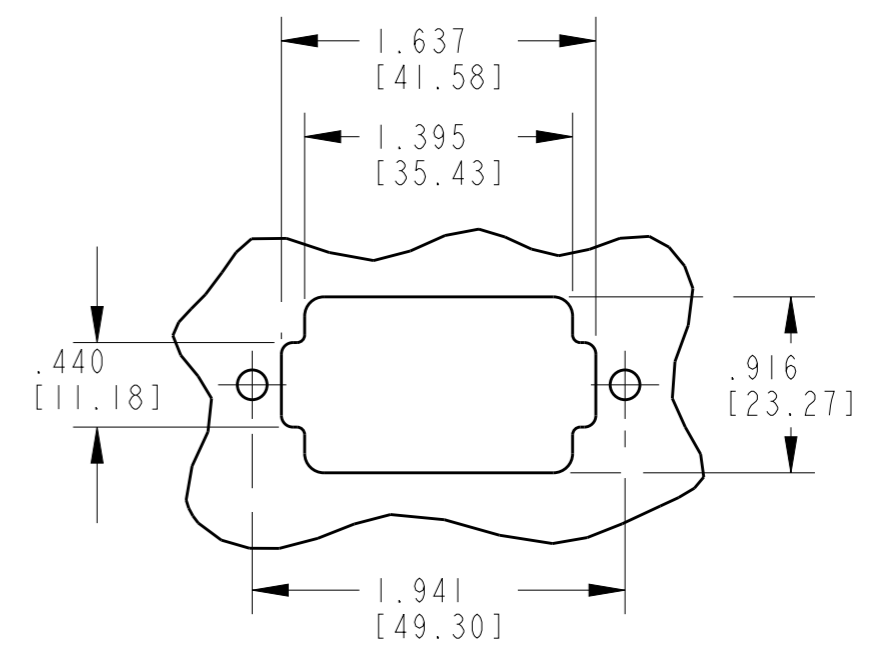


DT15-12PC
COLOR GREEN



DT15-12PD
COLOR BROWN

DATE CODE



RECOMMENDED PANEL CUTOUTS

| | | | | |
|--|--|----------------------------------|--|--------------------|
| THIS DRAWING IS A CONTROLLED DOCUMENT. | | DWN P. BURKE 08JUN2001 | TE Connectivity | |
| DIMENSIONS: INCHES [mm] | | CHK KEVIN MCKEE 03JUL2014 | | |
| TOLERANCES UNLESS OTHERWISE SPECIFIED: | | APVD DAVID MEYER 03JUL2014 | NAME RECEPTACLE HEADER 12 PIN 180 DEG DT SERIES | |
| 0 PLC ± 1 PLC ± 2 PLC ± 3 PLC ± 4 PLC ± ANGLES ±0°30'0" | | PRODUCT SPEC | RESTRICTED TO | |
| MATERIAL | | APPLICATION SPEC | SIZE A3 | CAGE CODE 4AFU8 |
| FINISH | | WEIGHT | DRAWING NO DT15-12PX | |
| | | CUSTOMER DRAWING | SCALE 1:1 | SHEET 2 OF 2 |
| | | | REV C3 | |