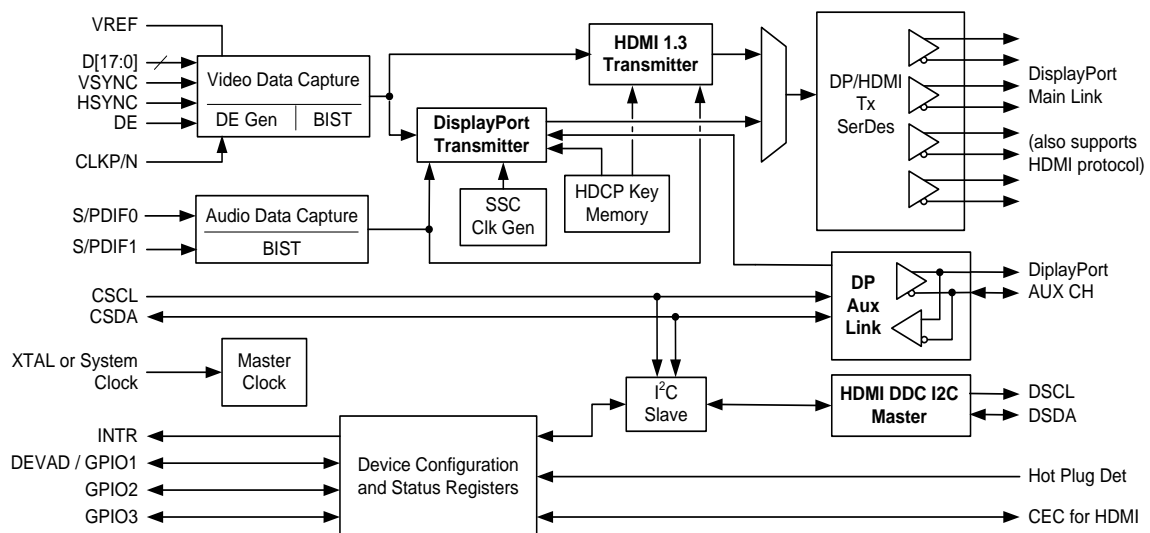


DisplayPort™/HDMI™ Transmitter

- **Product Compliance**
 - DisplayPort™ 1.1a with HDCP 1.3
 - HDMI™ 1.3 with HDCP 1.2
 - HDMI™ 1.2 and DVI 1.0 backward compatible
- **Output Interface**
 - Dual Mode: DisplayPort™ or HDMI™ output
 - 1/2/4 lane operation at up to HBR(2.7 Gbps/lane) and RBR(1.62 Gbps/lane)
 - DisplayPort™ mode Spread Spectrum Clock (SSC) support
 - Support up to 2560X1600(WQXGA)@60Hz with 30bpp colour depth
 - YCbCr to RGB conversion
 - 4:4:4 and 4:2:2 data input formats
 - 18/24/30/36 bits per pixel video support
 - Embedded audio support
 - HDCP encryption
- **Input Interface**
 - 18 -bit DVO/LVTTL flexible video input
 - SDR and DDR data modes support
 - Deep colour up to 36bpp in DDR support
- **Audio Input Interface**
 - S/PDIF audio mode including two-channel uncompressed L-PCM and multi-channel compressed DTS support
 - 32,44.1,48,88.2,96,176.4 to 192KHz audio sampling rates support
- **Embedded HDCP key shared for DisplayPort™, HDMI™, and DVI modes**
- **Programmable output swing and pre-emphasis**
- **Support of upstream content protection protocol with embedded upstream keys**
- **Hot Plug and Unplug detection mechanism**
- **Built-in video pattern generator and audio tone generator for system self-test**
- **Package: 80-pin TQFP**
- **0.18um CMOS process**
- **Power Management**
 - 1.8V and 3.3V Power supplies
 - Software controlled power management
- **RoHS compliant and Halogen free package**



ANX9805 Block Diagram



Reference

Application Notes	Comments
DisplayPort™ Specification, Ver.1 Rev.1a	
HDMI specifications	
I2C SPECIFICATION	

Revision History

Revision	Date	Comments
Version 1.5	December 2007	
Issue 2	September 2011	Removed all references to BGA package, which is now end of life. Removed all part number variants other than ANX9805J, which are end of life.

Copyright ©2010, 2011 Analogix Semiconductor, Inc
3211 Scott Blvd., Suite 102 BGA
Santa Clara, CA 95054, USA
+1-408-988-8848

<http://www.analogix.com/>

©2010, 2011 Analogix Semiconductor, Inc. All Rights reserved.

THE INFORMATION CONTAINED IN THIS DOCUMENT IS PROVIDED "AS IS" WITHOUT ANY EXPRESS REPRESENTATIONS OF WARRANTIES. IN ADDITION, ANALOGIX SEMICONDUCTOR INC. DISCLAIMS ALL IMPLIED REPRESENTATIONS AND WARRANTIES, INCLUDING ANY WARRANTY OF MERCHANTABILITY, FITNESS FOR A PARTICULAR PURPOSE, OR NON-INFRINGEMENT OF THIRD PARTY INTELLECTUAL PROPERTY RIGHTS. SPECIFICATION IS SUBJECT TO CHANGE WITHOUT NOTICE.

This document contains proprietary information of Analogix Semiconductor, Inc. or under license from third parties. No part of this document may be reproduced in any form or by any means or transferred to any third party without the prior written consent of Analogix Semiconductor, Inc. The information contained in this document is not designed or intended for use in on-line control of aircraft, aircraft navigation or aircraft communications; or in the design, construction, operation or maintenance of any nuclear facility. Analogix disclaims any express or implied warranty of fitness for such uses.

Analogix Semiconductor, Inc., the Analogix Logo, and WideEye™ SerDes, and CoolHD™ are trademarks of Analogix Semiconductor, Inc., in the United States and other countries.

HDMI, the HDMI logo and High-Definition Multimedia Interface are trademarks or registered trademarks of HDMI Licensing LLC.

DisplayPort and the DisplayPort logo are trademarks or registered trademarks of the Video Electronics Standards Association, VESA®.

All other trademarks and registered trademarks are the property of their respective owners.