

# Coin Cells with Tabs

Two pins horizontal mounting



renata  
batteries

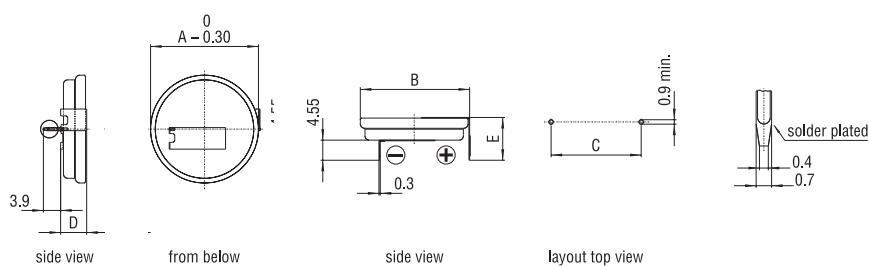
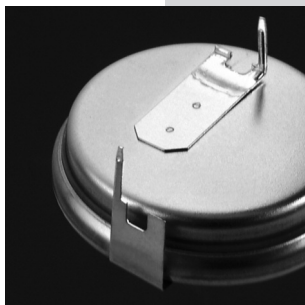
Catalogue of two-pins standard tabbed coin cells for horizontal mounting on PCBs.

## Features

- Excellent solderability thanks to solder-plated areas
- Suitable for wave-soldering

## Specifications

- Solder contacts stainless steel AISI 301, thickness 0.15 mm
- Tin-plated solder area lead free (>99.9% Sn) plated throughout, thickness min. 2.5 µm. Solderability according to MIL-STD 883C, method 2003.3



Model	Nominal Capacity (mAh)	Max. Dimensions (mm)					Weight (g)	Part.No.*
		A	B	C	D	E		
CR1216MFR FH	30	12.50	12.70	11.00	2.40	6.30	0.9	702601
CR1220MFR FH	40	12.50	12.70	11.00	2.80	6.70	1.0	702604
CR1225FH-LF	48	12.50	12.70	11.00	3.30	7.20	1.1	701065
CR1616FH-LF	50	16.00	16.20	12.70	2.40	6.30	1.3	701382
CR1620FH-LF	68	16.00	16.20	12.70	2.80	6.70	1.4	701067
CR1632FH-LF	125	16.00	16.20	11.00	3.90	7.80	2.0	701069
CR1632FH1-LF	125	16.00	16.20	15.20	3.90	7.80	2.0	701070
CR2016MFR FH	90	20.00	20.20	15.20	2.40	6.30	1.9	701591
CR2016MFR FH1	90	20.00	20.35	20.40	2.40	6.30	1.9	701593
CR2025MFR FH	165	20.00	20.20	15.20	3.30	7.20	2.7	701595
CR2025MFR FH1	165	20.00	20.20	20.40	3.30	7.20	2.7	701596
CR2032MFR FH	225	20.00	20.20	15.20	3.90	7.80	3.0	701599
CR2032MFR FH0	225	20.00	20.20	10.35	3.90	7.80	3.0	701600
CR2032MFR FH1	225	20.00	20.20	20.40	3.90	7.80	3.0	701601
CR2032MFR FH2	225	20.00	20.20	22.50	3.90	7.80	3.0	701603
CR2325FH-LF	190	23.00	23.20	20.40	3.30	7.20	3.2	701085
CR2430MFR FH	300	24.50	24.70	20.40	3.90	7.80	4.3	702522
CR2430MFR FH1	300	24.50	24.70	15.20	3.90	7.80	4.3	702521
CR2430FH-LF	285	24.50	24.70	20.40	3.90	7.80	4.3	701089
CR2430FH1-LF	285	24.50	24.70	15.20	3.90	7.80	4.3	701090
CR2450NFH-LF	540	24.50	24.70	20.40	5.80	9.70	6.1	701095
CR2477NFH-LF	950	24.50	24.70	20.40	8.50	12.40	8.4	701100

\*Packaging: Industrial Bulk (IB-Trays)

# Coin Cells with Tabs

## Three pins horizontal mounting



renata  
batteries

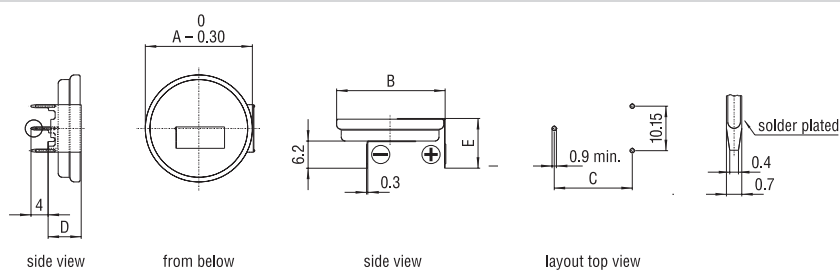
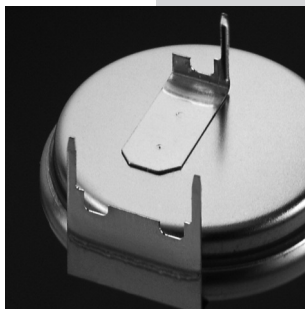
Catalogue of three-pins standard tabbed coin cells for horizontal mounting on PCBs.

### Features

- Excellent solderability thanks to solder-plated areas
- Suitable for wave-soldering

### Specifications

- Solder contacts stainless steel AISI 301, thickness 0.15 mm
- Tin-plated solder area plated throughout, thickness min. 2.5  $\mu\text{m}$ . Solderability according to MIL-STD 883C, method 2003.3

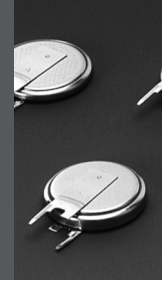


Model	Nominal Capacity (mAh)	Max. Dimensions (mm)					Weight (g)	Part.No.*
		A	B	C	D	E		
CR1632RH-LF	125	16.00	16.35	15.20	5.45	9.45	2.0	701238
CR2016MFR RH	90	20.00	20.20	15.20	3.95	7.95	2.0	701594
CR2025MFR RH	165	20.00	20.20	15.20	4.85	8.85	2.6	701597
CR2032MFR RH	225	20.00	20.20	15.20	5.45	9.45	3.1	701604
CR2032MFR RH1	225	20.00	20.20	17.80	5.45	9.45	3.1	701605
CR2032MFR RH2	225	20.00	20.35	20.40	5.45	9.45	3.0	701724
CR2325RH-LF	190	23.00	23.20	17.80	4.85	8.85	3.3	701087
CR2430MFR RH	300	24.50	24.70	17.80	5.45	9.45	4.4	702525
CR2430MFR RH1	300	24.50	24.70	20.40	5.45	9.45	4.4	702524
CR2430RH-LF	285	24.50	24.70	17.80	5.45	9.45	4.4	701092
CR2430RH1-LF	285	24.50	24.70	20.40	5.45	9.45	4.4	701093
CR2450NRH-LF	540	24.50	24.70	17.80	7.35	11.35	6.2	701097
CR2450NRH1-LF	540	24.50	24.70	20.40	7.35	11.35	6.2	701098
CR2477NRH-LF	950	24.50	24.70	17.80	10.05	14.05	8.5	701103

\*Packaging: Industrial Bulk (IB-Trays)

# Coin Cells with Tabs

## Two pins vertical mounting



renata  
batteries

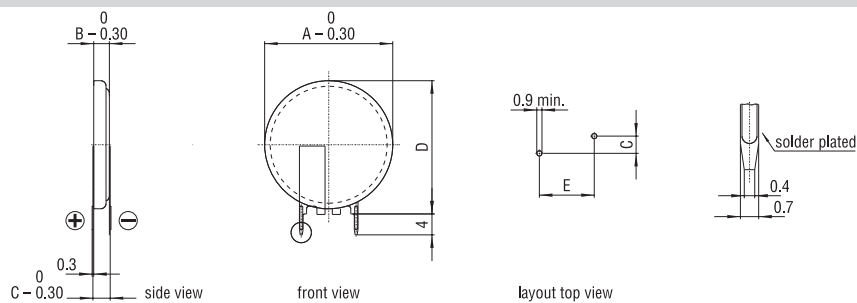
Catalogue of two-pins standard tabbed coin cells for vertical mounting on PCBs.

### Features

- Excellent solderability thanks to solder-plated areas
- Suitable for wave-soldering

### Specifications

- Solder contacts stainless steel AISI 301, thickness 0.15 mm
- Tin-plated solder area plated throughout, thickness min. 2.5 µm. Solderability according to MIL-STD 883C, method 2003.3



Model	Nominal Capacity (mAh)	Max. Dimensions (mm)					Weight (g)	Part.No.*
		A	B	C	D	E		
CR1025FV-LF	30	10.00	2.50	2.80	11.00	5.08	0.8	701060
CR1025FV1-LF <sup>1)</sup>	30	10.00	2.50	2.80	11.00	5.08	0.8	701061
CR1216MFR FV	30	12.50	1.60	1.90	13.60	5.08	0.9	702603
CR1220MFR FV	40	12.50	2.00	2.30	13.50	5.08	1.0	702606
CR1225FV-LF	48	12.50	2.50	2.80	13.50	5.08	1.1	701066
CR1616FV-LF	50	16.00	1.60	1.90	17.00	5.08	1.3	701381
CR1620FV-LF	68	16.00	2.00	2.30	17.00	5.08	1.4	701068
CR1632FV-LF	125	16.00	3.20	3.50	17.00	5.08	2.0	701071
CR2016MFR FV	90	20.00	1.60	1.60	21.10	10.50	2.0	701426
CR2032MFR FV	225	20.00	3.20	3.50	21.00	10.50	3.0	701606
CR2320FV-LF	150	23.00	2.00	2.30	24.00	10.50	2.9	701084
CR2325FV-LF	190	23.00	2.50	2.80	24.00	10.50	3.2	701086
CR2430MFR FV	300	24.50	3.00	3.30	25.50	10.50	4.3	702523
CR2430FV-LV	285	24.50	3.00	3.30	25.50	10.50	4.3	701091
CR2450NFV-LF	540	24.50	5.00	5.80	25.50	10.50	6.1	701096
CR2477NFV-LF	950	24.50	7.70	8.00	25.50	10.50	8.4	701101

\*Packaging: Industrial Bulk (IB-Trays)

<sup>1</sup> CR1025FV1-LF has the same dimensions as CR1025FV-LF but reverse polarity.

# Coin Cells with Tabs

## Three pins vertical mounting

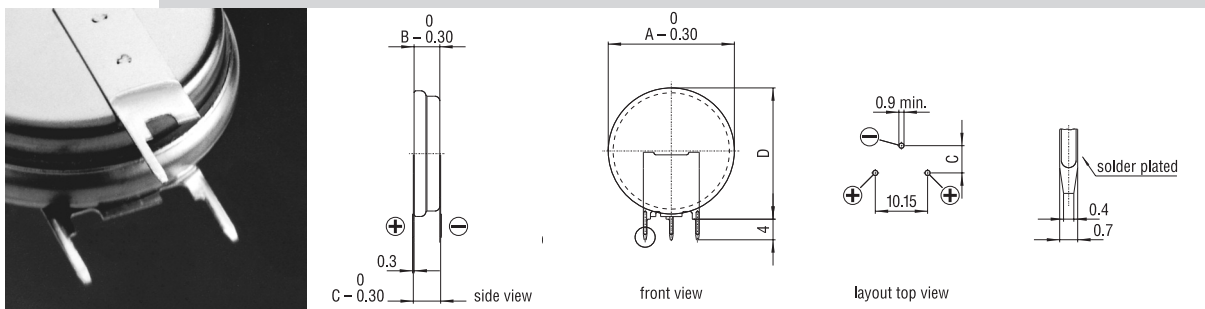
Catalogue of three-pins standard tabbed coin cells for vertical mounting on PCBs.

### Features

- Excellent solderability thanks to solder-plated areas
- Suitable for wave-soldering

### Specifications

- Solder contacts stainless steel AISI 301, thickness 0.15 mm
- Tin-plated solder area plated throughout, thickness min. 2.5 µm. Solderability according to MIL-STD 883C, method 2003.3



Model	Nominal Capacity (mAh)	Max. Dimensions (mm)				Weight (g)	Part.No.*
		A	B	C	D		
CR2025MFR RV	165	20.00	2.50	2.80	21.00	2.8	701598
CR2032MFR RV	225	20.00	3.20	3.50	21.00	3.1	701607
CR2325RV-LF	190	23.00	2.50	2.80	24.00	3.3	701088
CR2430MFR RV	300	24.50	3.00	3.30	25.50	4.4	702530
CR2430RV-LF	285	24.50	3.00	3.30	25.50	4.4	701094
CR2450NRV-LF	540	24.50	5.00	5.30	25.50	6.2	701099
CR2477NRV-LF	950	24.50	7.70	8.00	25.50	8.5	701104

\*Packaging: Industrial Bulk (IB-Trays)

# Coin Cells with Tabs

## Isotan<sup>1)</sup> tabs for through-hole mounting

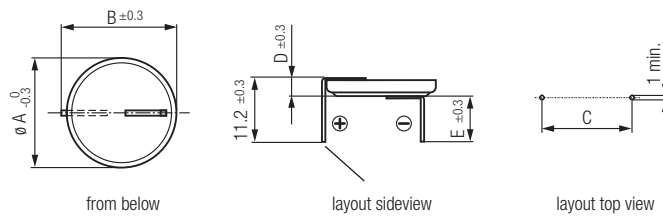
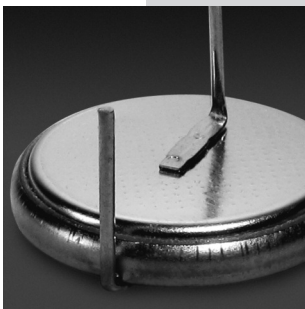
Catalogue of two-pins, Isotan<sup>1)</sup>-tabbed coin cells for horizontal mounting on PCBs.

### Features

- Good solderability
- Suitable for wave-soldering

### Specifications

- Tab material: Isotan (54% Cu, 44% Ni, Mn)



Model	Nominal Capacity (mAh)	Dimensions (mm)					Weight (g)	Part.No.*
		A	B	C	D	E		
CR1225AH	48	12.50	13.3	11.0	3.10	7.6	1.1	700772
CR1632AH1	125	16.00	17.0	15.2	3.80	7.6	2.0	700534
CR2025MFR AH	165	20.00	21.0	15.2	3.10	7.6	2.7	701720
CR2032MFR AH	225	20.00	21.0	15.2	3.85	7.6	3.0	701721
CR2032MFR AH0	225	20.00	21.0	10.35	3.85	7.6	3.0	701722
CR2032MFR AH1	225	20.00	21.0	20.4	3.85	7.6	3.0	701723
CR2450NAH	540	24.50	25.3	20.4	5.60	5.6	6.1	700378
CR2477NAH	950	24.50	25.3	20.4	8.30	3	8.3	700393

\*Packaging: Industrial Bulk (B-Trays)

1) Isotan® is a registered trademark of Isabellenhütte Heusler GmbH & Co. KG.

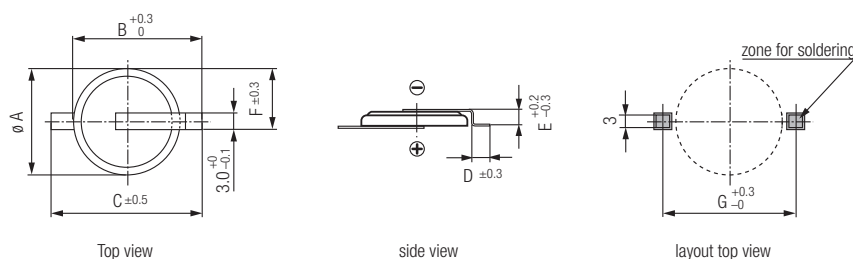
Catalogue of SM-tabbed coin cells for horizontal mounting on PCBs.

### Features

- Good solderability, but not suitable for reflow-soldering

### Specifications

- Tab material: Isotan (54% Cu, 44% Ni, Mn)



Model	Nominal Capacity (mAh)	Dimensions (mm)							Part.No.*
		A	B	C	D	E	F	G	
CR1025SM	30	$10.0^{+0/-0.3}$	13.0	16.0	2.0	2.8	6.5	14.0	701960
CR1216MFR SM	25	$12.5^{+0/-0.3}$	15.75	19.0	2.0	1.9	7.75	17.0	702602
CR1220MFR SM	38	$12.5^{+0/-0.3}$	15.75	19.0	2.0	2.3	7.75	17.0	702605
CR1225SM	48	$12.5^{+0/-0.3}$	15.75	19.0	2.0	2.8	7.75	17.0	701964
CR1616SM	50	$16.0^{+0/-0.3}$	20.0	24.0	3.0	1.9	9.5	21.0	701965
CR1620SM	68	$16.0^{+0/-0.3}$	20.0	24.0	3.0	2.3	9.5	21.0	701966
CR1632SM	125	$16.0^{+0/-0.3}$	20.0	24.0	3.0	3.5	9.5	21.0	701967
CR2016MFR SM	90	$20.0^{+0/-0.3}$	24.0	28.0	3.0	1.9	11.5	25.0	701969
CR2025MFR SM	165	$20.0^{+0/-0.3}$	24.0	28.0	3.0	2.8	11.5	25.0	701971
CR2032MFR SM	225	$20.0^{+0/-0.3}$	24.0	28.0	3.0	3.5	11.5	25.0	701973
CR2320SM	150	$23.0^{+0/-0.4}$	28.0	33.0	4.0	2.3	13.0	29.0	701974
CR2325SM	190	$23.0^{+0/-0.4}$	28.0	33.0	4.0	2.8	13.0	29.0	701975
CR2430MFR SM	300	$24.5^{+0/-0.3}$	29.5	34.5	4.0	3.3	13.75	30.5	702532
CR2430SM	285	$24.5^{+0/-0.3}$	29.5	34.5	4.0	3.3	13.75	30.5	701976
CR2450SM	540	$24.5^{+0/-0.3}$	29.5	34.5	4.0	5.3	13.75	30.5	701977
CR2477SM	950	$24.5^{+0/-0.3}$	29.5	34.5	4.0	8.0	13.75	30.5	701978

\*Packaging: Industrial Bulk (IB-Trays)

1) Isotan® is a registered trademark of Isabellenhütte Heusler GmbH & Co. KG.

2) Customized SM-Tab configuration upon request – see Customized Battery Solutions

# Coin Cells with Tabs

## Packaging options

All tabbed coin cells are supplied in the following packaging:

### **Industrial Bulk multi-cell plastic trays**

Packaging Code: **IB**

Industrial **Bulk** packaging is the standard packaging for manufacturers.

The number of tabbed coin cells per plastic tray depends on the respective model. So does the number of plastic trays per shrink pack.

