



9mm Snap-In Insulated Shaft Potentiometer 9mm 嵌入式塑膠軸旋轉電位器

R-0904N

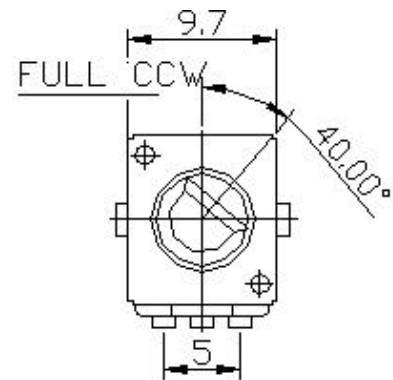
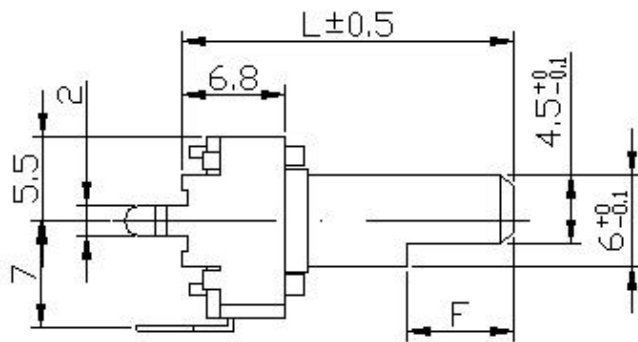


Part Number

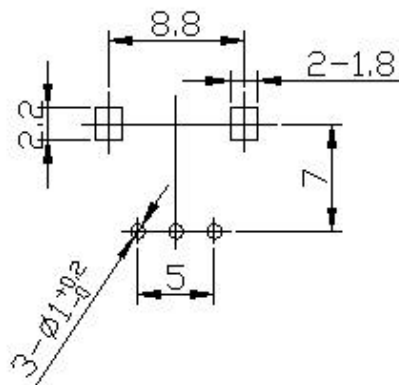
R-0904N - **B** **50K**, L - **20** **KC**

↓ Taper 線性
↓ Resistance Value 阻值
↓ Shaft Length 軸長
↓ Shaft Type 軸型

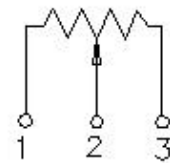
Dimensions 規格尺寸



P.C.B LAYOUT



CIRCUIT





9mm Snap-In Insulated Shaft Potentiometer
9mm 嵌入式塑膠軸旋轉電位器

Shaft Type 軸型

KC TYPE:

18 Teeth knurl
 ϕ
 L
 1.5
 C
 Shaft shown at center position
 50°

L	15KC	20KC	25KC	30KC
KC	7	7		

KS TYPE:

24 teeth
 ϕ
 L
 S
 C0.5

L	15KS	20KS	25KS	30KS	35KS
S	7	7	7	7	7

KQ TYPE:

40 teeth
 ϕ
 L
 Q
 C0.5

L	15KQ	20KQ	25KQ	30KQ	35KQ
Q	6	7	7	7	7

KT TYPE:

40 teeth
 ϕ
 L
 T
 C0.5

L	9KT	15KT	20KT	25KT	30KT
T	-	6	7		

F TYPE:

ϕ
 L
 F
 4.5
 C0.5

L	15F	20F	25F	30F
F	6	7	12	12



9mm Snap-In Insulated Shaft Potentiometer
9mm 嵌入式塑膠軸旋轉電位器

Electrical Characteristics 電氣特性

All Resistance 總阻值	500 ~ 500K Ω				
All Resistance Tolerance 總阻值誤差	$\pm 20\%$				
Resistance Taper 線性	A. B. C. D. W. Taper				
Resistance Taper Characteristics 阻值變化特性範圍	A50%	B50%	C50%	D50%	W50%
	15-25%	40-60%	75-85%	2-15%	45-55%
Rated Power 定格電力	0.05 W				
Residual Resistance 殘留阻值	R \leq 250K 0.1%				
	250K > R > 10K	20 Max. (between Term. 1, 2)			
	10K \leq R	20 Max. (between Term. 2, 3)			
Noise 雜音	100 mV Max.				
Max. Operating Voltage 最高使用電壓	AC 50V; DC12V				
Insulation Resistance 絕緣阻抗	DC 250V 100M Min.				
Withstand Voltage 耐電壓	1 minute at AC 250V Min.				
Working Life 旋轉壽命	15,000 Cycles Min.				

Mechanical Characteristics 機械特性

Total Rotational Angle 全迴轉角度	280° \pm 10°
Rotation Stopper Strength 全迴轉止強度	5kgf.cm max./3 sec.
Rotational Torque 迴轉扭力	30 ~ 150gf.cm
Pull-Push Strength 壓入拉起強度	5kgf.cm max./3 sec.
Shaft Wobble 軸心搖晃接受力	0.8 x L / 20 mmp-p max.
Center Click Torque 扭力	150 ~ 300 g.cm
Shaft Bending 軸心瞬間彎曲	0.3mm max.
Solder Heat 焊錫耐熱性	300 ,3s (Only For Hand-Soldering)
Remark 備註	§ Insulated shaft of black.